

Please read these instructions carefully before assembling

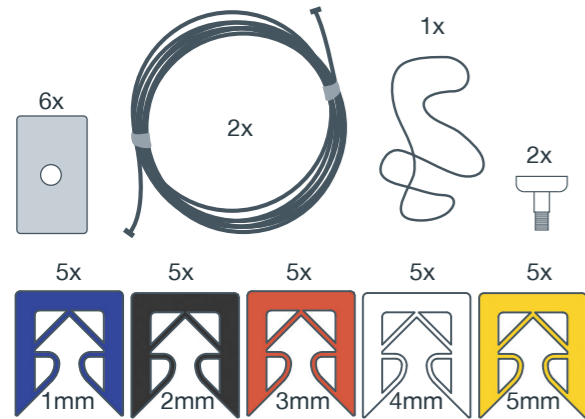


March 2017 - rev. 1 - dnp

Wall Mount+

Installation guide for dnp Supernova STW and dnp LaserPanel

What is in the box

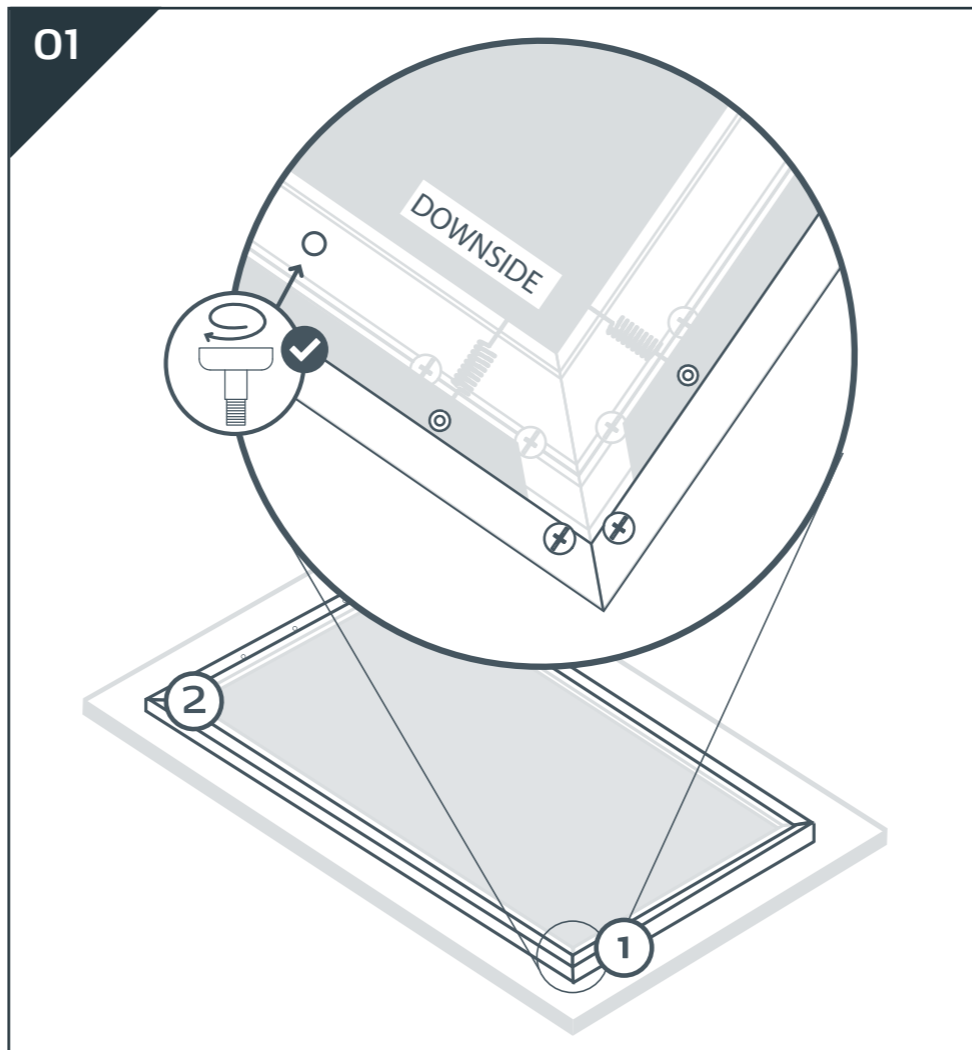


> dnp denmark as
Skruegangen 2
DK-2690 Karlslunde
Denmark

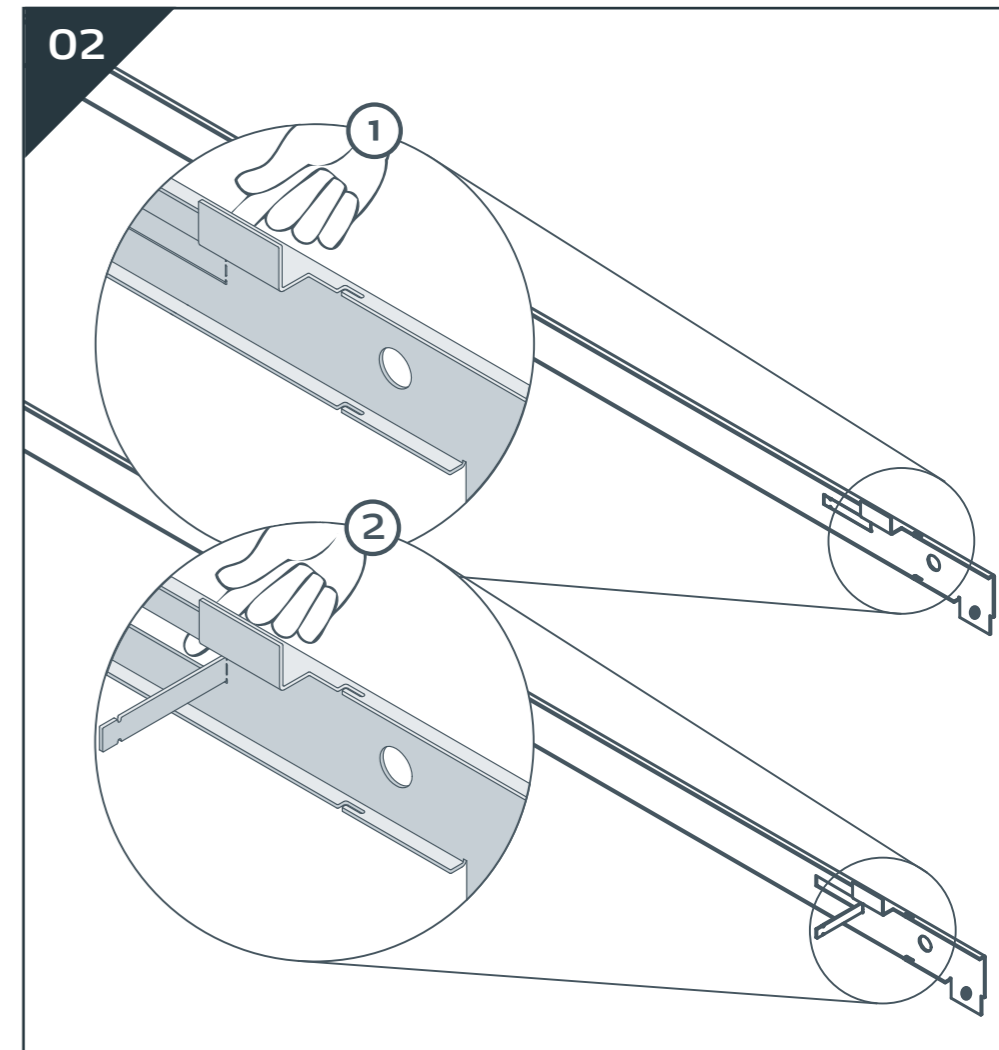
> Phone +45 4616 5100
Fax +45 4616 5200
www.dnp-screens.com
dnp@dnp.dk



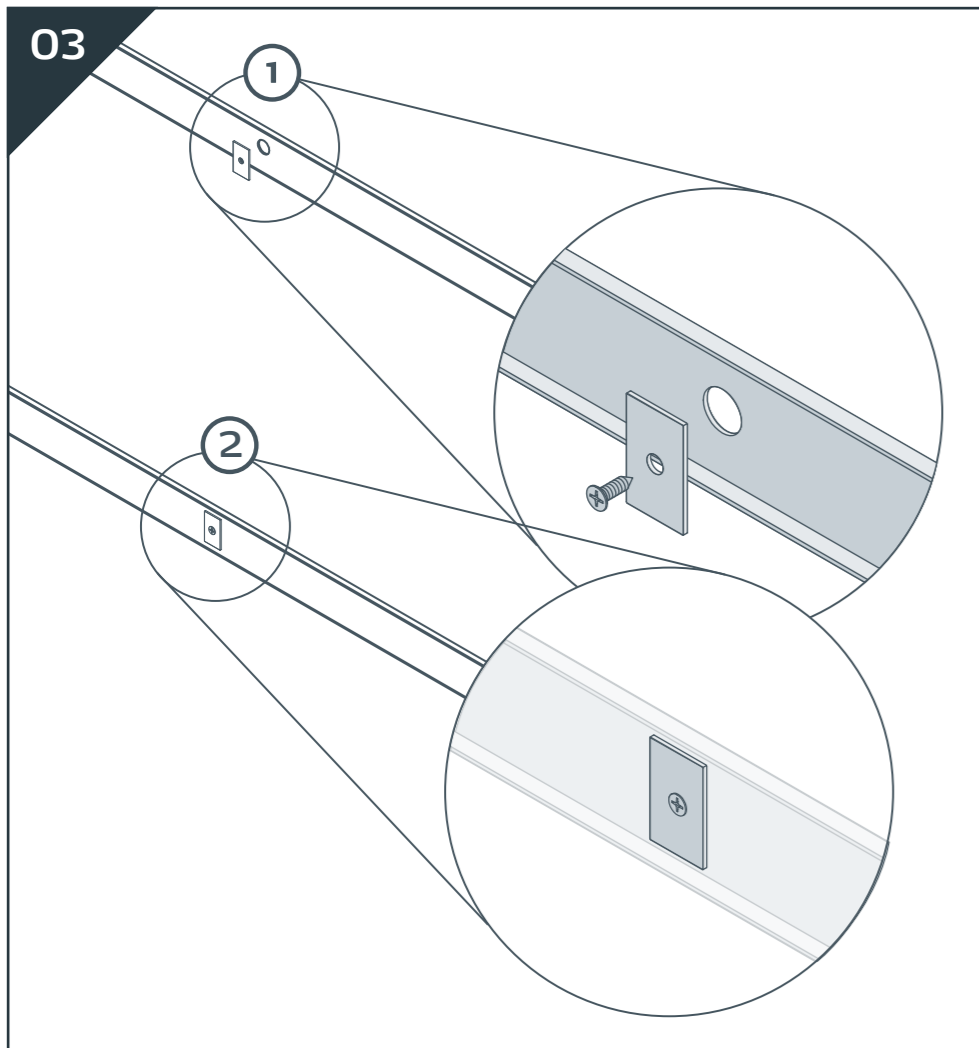
01



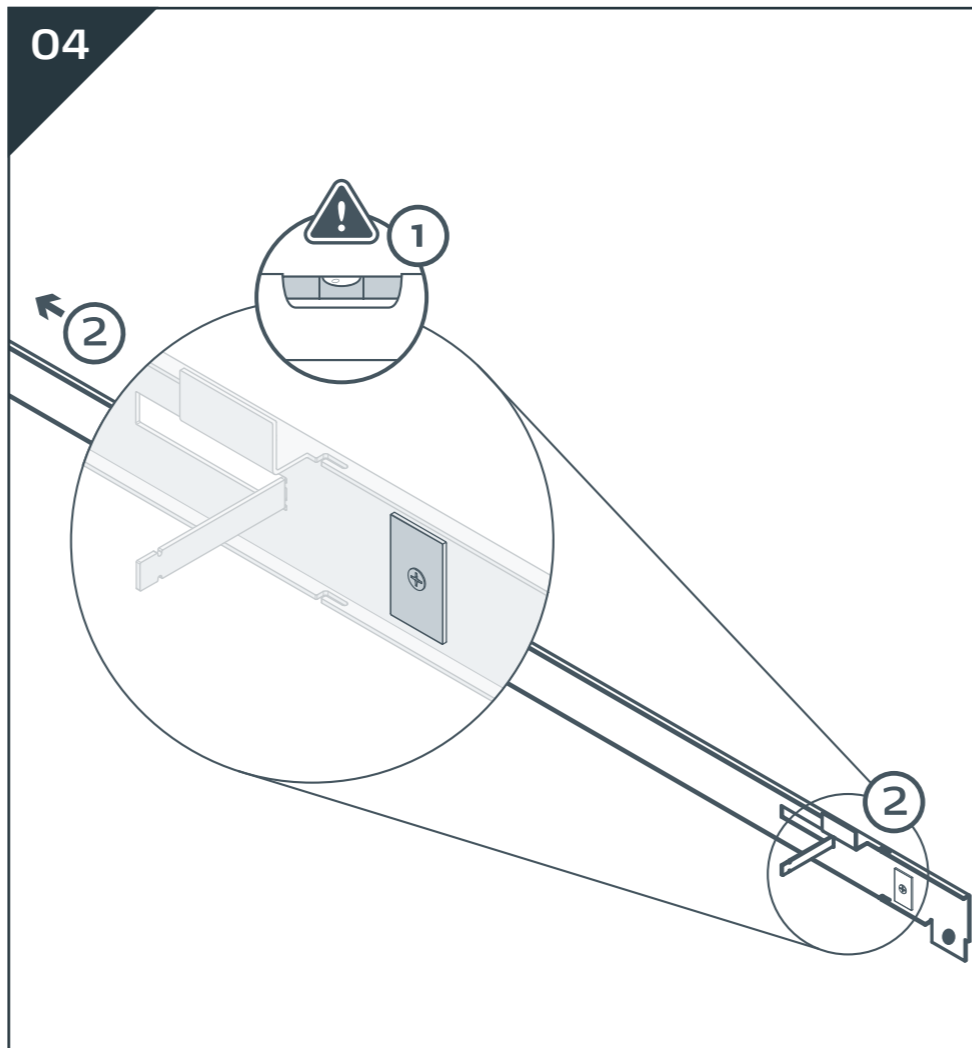
02



03



04



05

