

Please read these instructions carefully before assembly



# dnp Supernova™ Blade

## Wall Mount - Installation guide



dnp optical front  
projection screens

**Supernova™**  
Supernova™ is a registered trademark of dnp denmark as

> dnp denmark as  
Skuegangen 2  
DK-2690 Karlslunde  
Denmark

> Phone +45 4616 5100  
Fax +45 4616 5200  
www.dnp-screens.com  
dnp@dnp.dk

**dnp**  
visual experience

### Attention!

- ⚠ Follow all assembly instructions. Incorrect assembly can lead to screen damage and invalidate the dnp warranty
- ⚠ Be two persons to install screen and use enclosed gloves during installation for protection against sharp edges
- ⚠ Keep sharp objects away from the screen as they can scratch the surface and thereby damage the optical properties
- ⚠ Be careful of sharp corner edges when screen is installed. Keep away from children

### Need help?



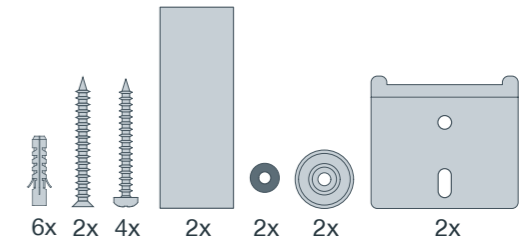
US citizens: Contact dnp US Hotline:  
Call (714) 991-6405 for instant service- and  
installation support.

Open Monday-Friday from 6:00 AM to 6:00 PM. US requests only.

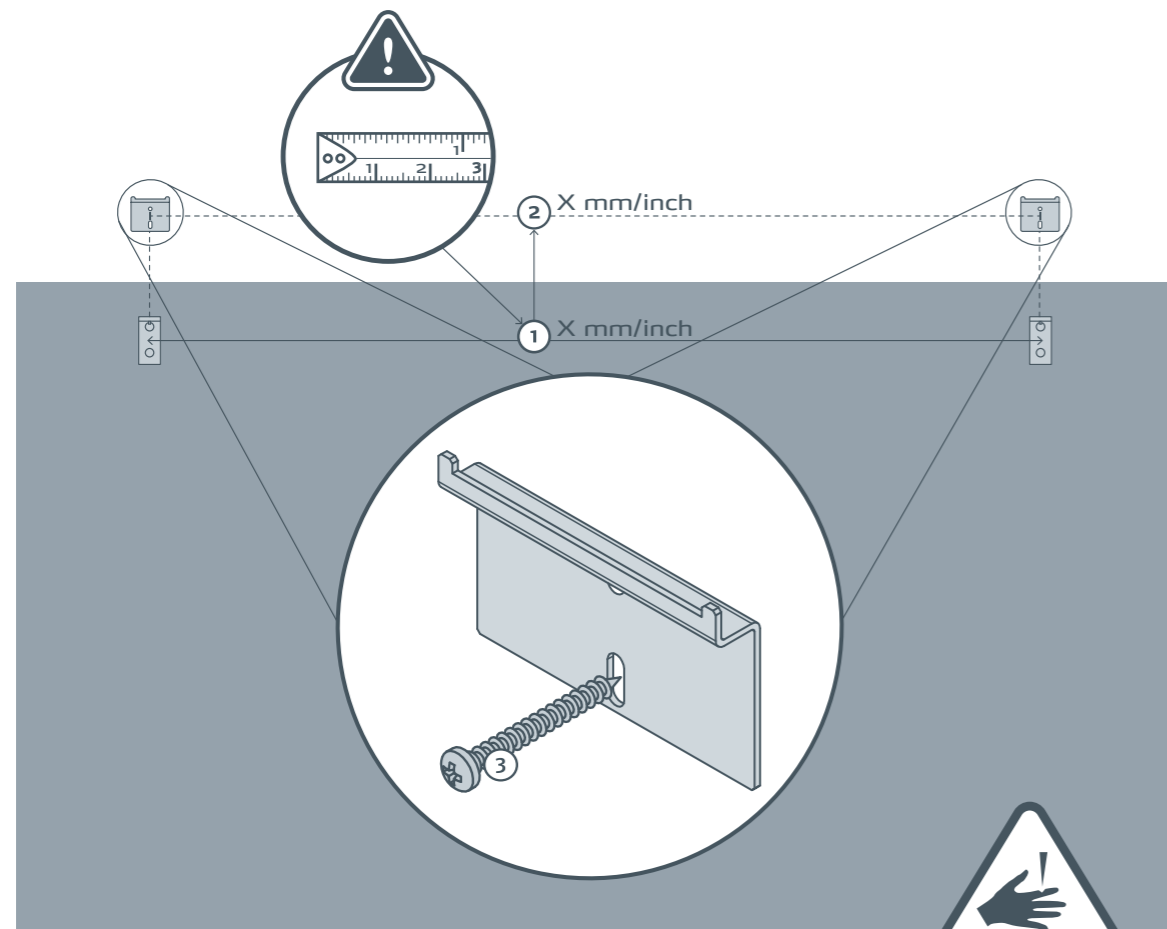
All others:  
Please contact place of purchase

April 2015 - Part no. 3752 - rev. 3 - dnp

### What is in the box?

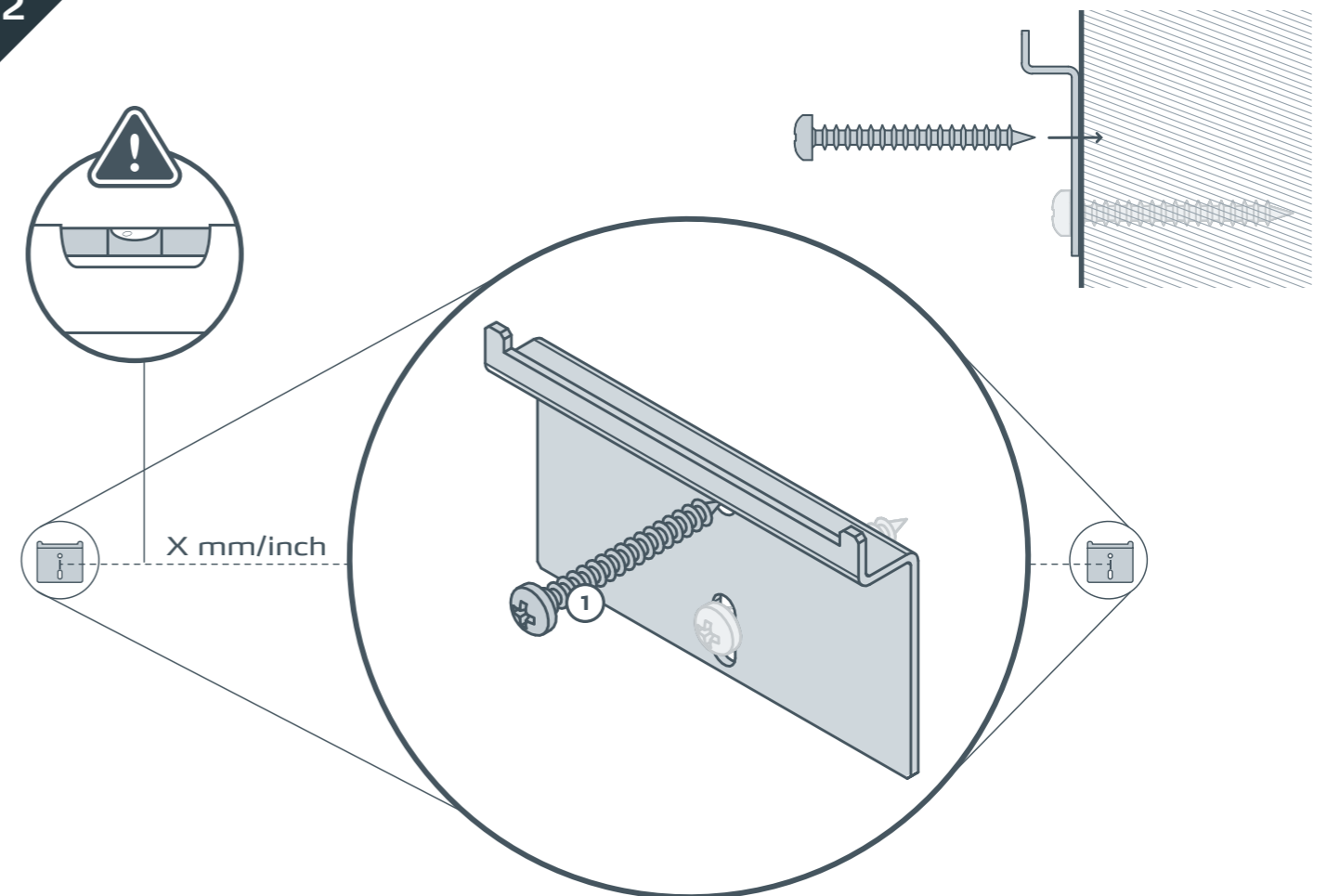


01

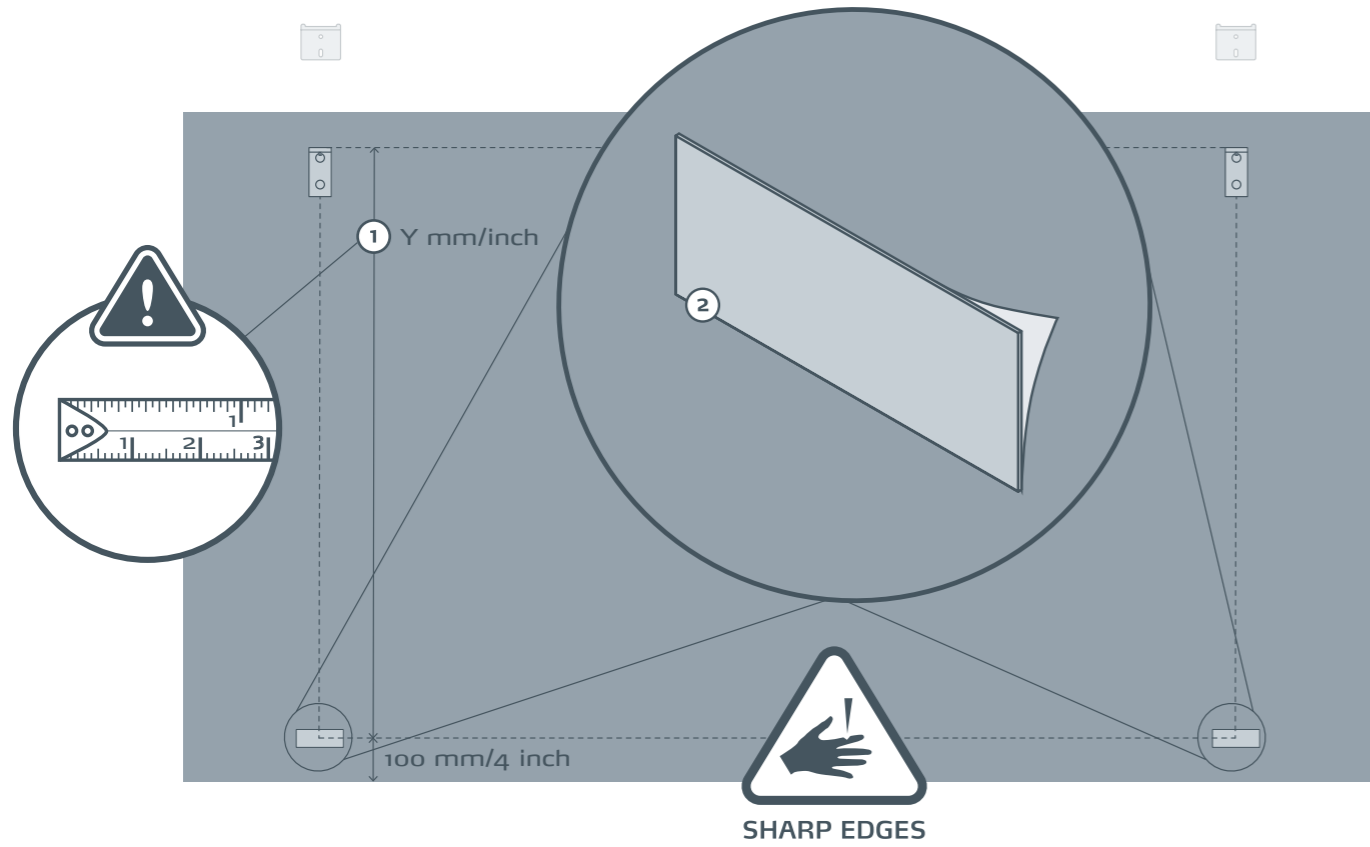


SHARP EDGES

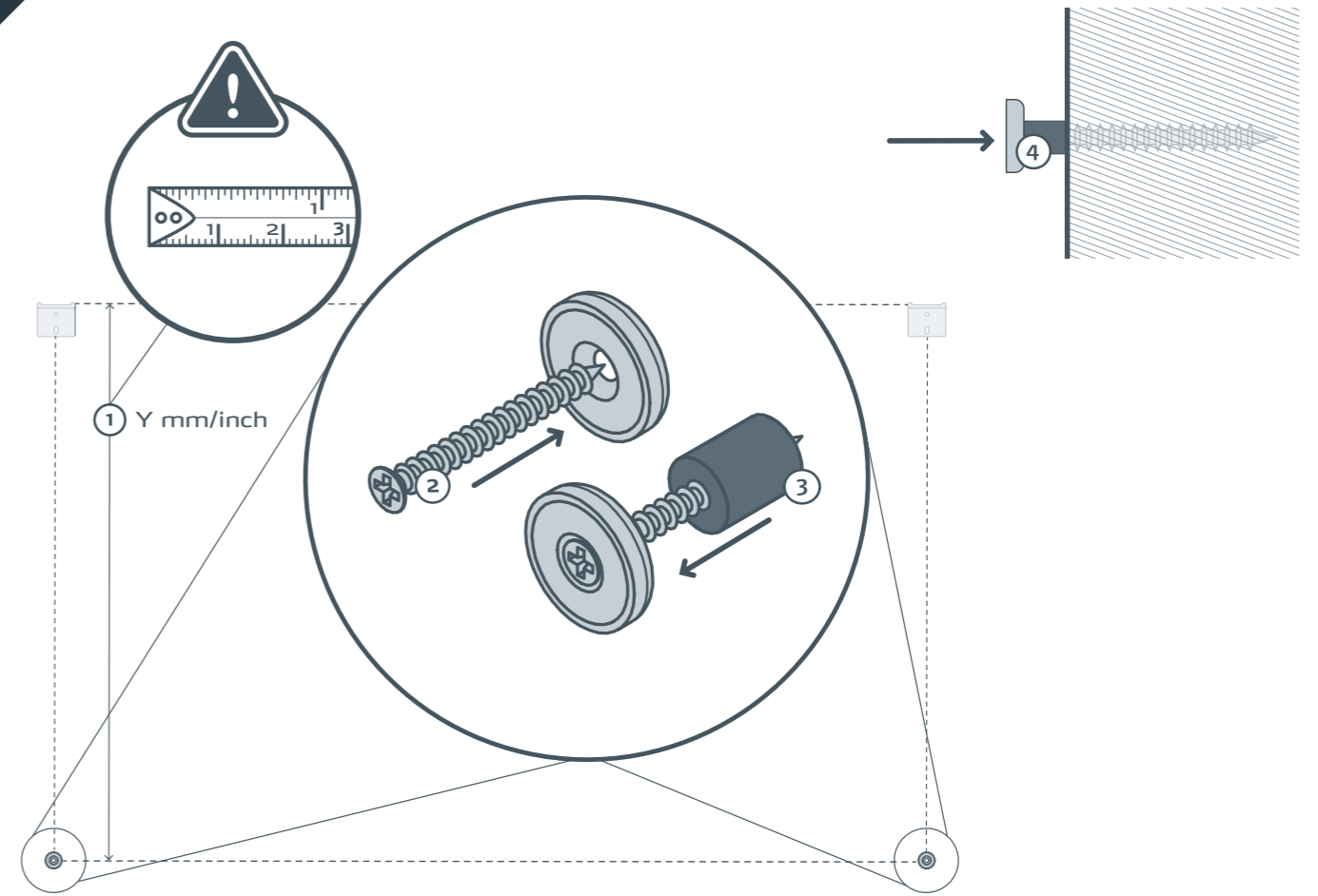
02



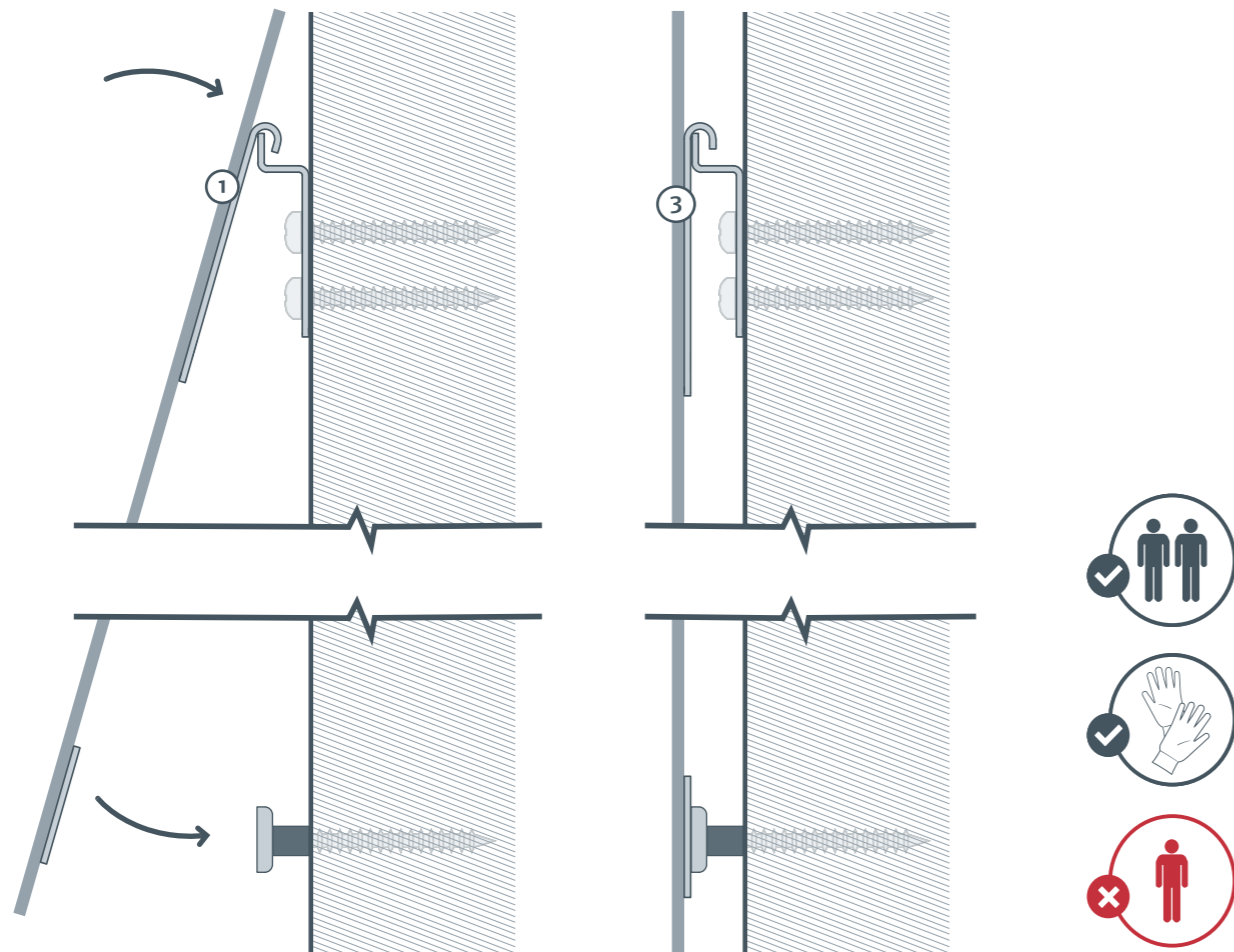
03



04



05



06

