

Please read these instructions carefully before assembly



dnp Supernova™ STS

Installation guide



dnp optical front
projection screens

Supernova™
Supernova™ is a registered trademark of dnp denmark as

> dnp denmark as
Skuegangen 2
DK-2690 Karlslunde
Denmark

> Phone +45 4616 5100
Fax +45 4616 5200
www.dnp-screens.com
dnp@dnp.dk

dnp
visual experience

Attention!

- Follow all assembly instructions. Incorrect assembly can lead to screen damage and invalidate the dnp warranty
- Be two persons to install screen and use enclosed gloves during installation for protection against sharp edges
- Keep sharp objects away from the screen as they can scratch the surface and thereby damage the optical properties
- Be careful of sharp corner edges when screen is installed. Keep away from children

Need help?



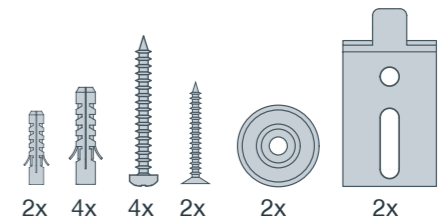
US citizens: Contact dnp US Hotline:
Call (714) 991-6405 for instant service- and installation support.

Open Monday-Friday from 6:00 AM to 6:00 PM. US requests only.

All others:
Please contact place of purchase

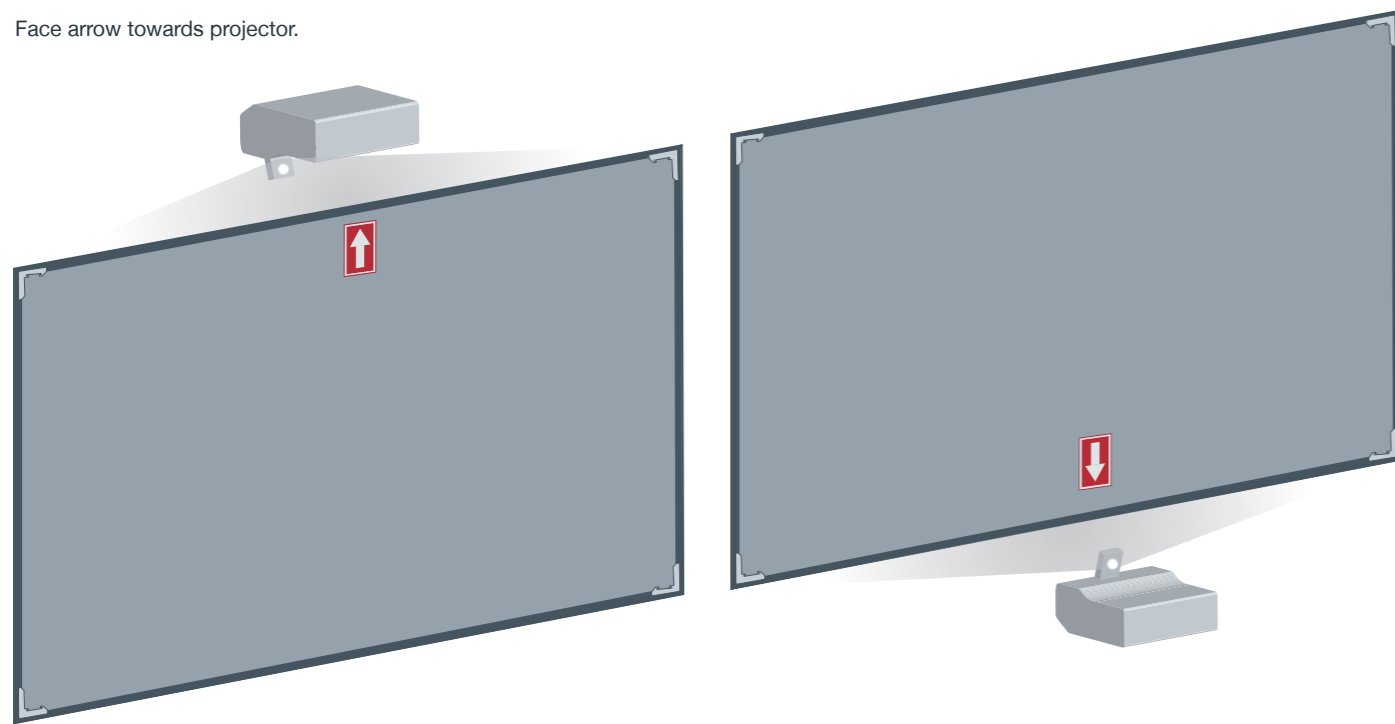
April 2015 - rev. 3 - dnp

What is in the box?

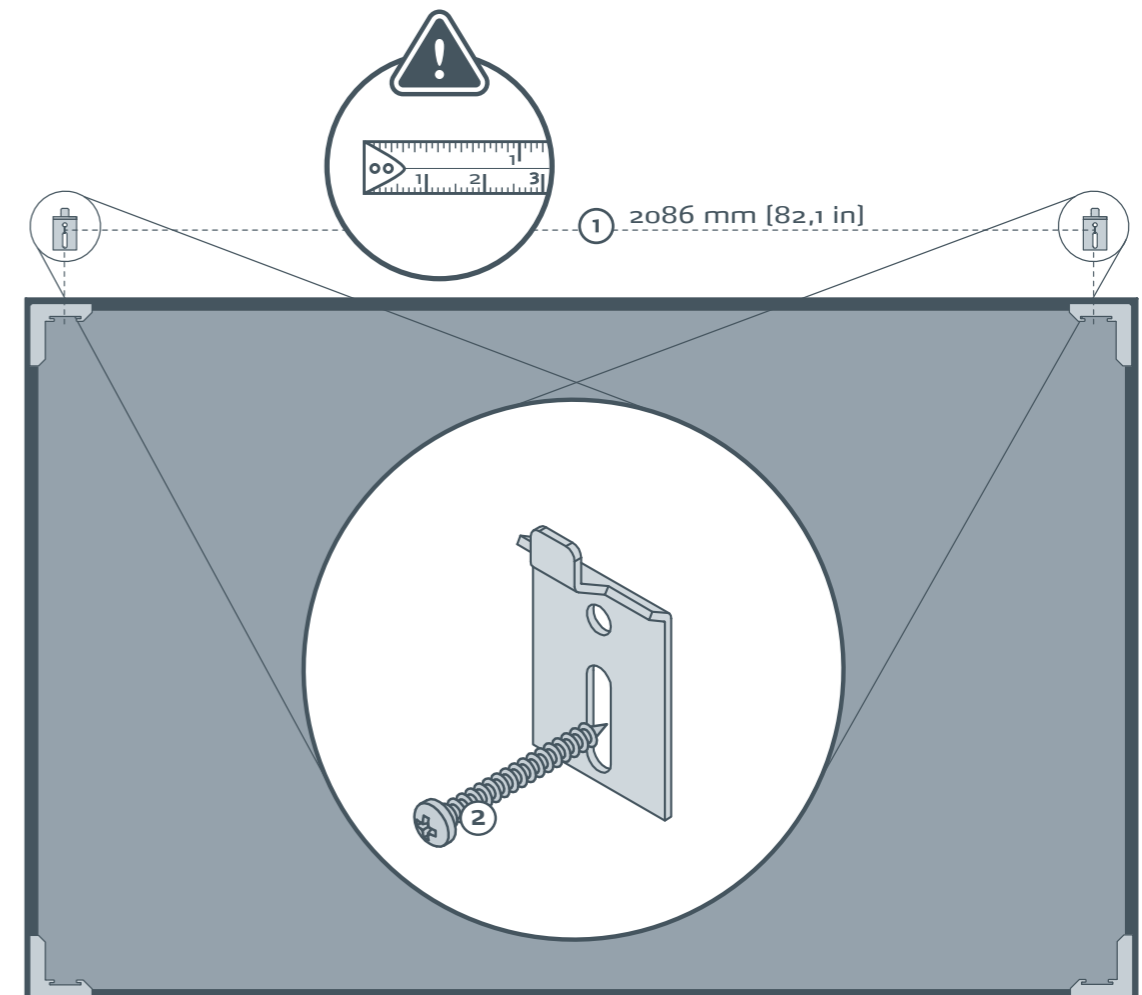


Projector position?

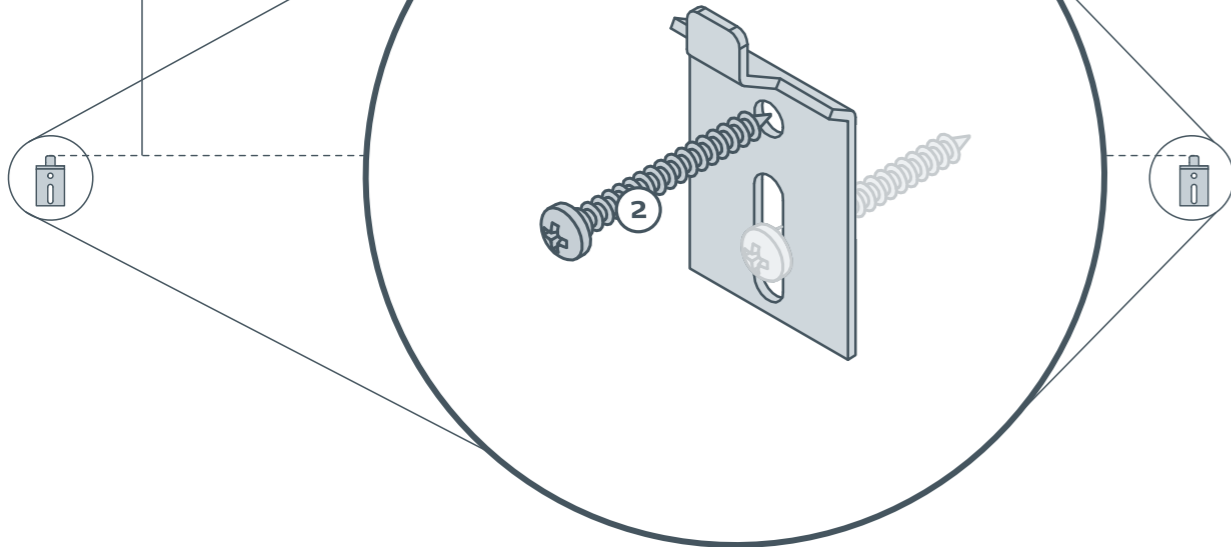
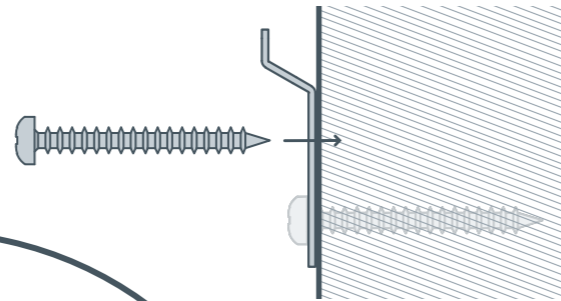
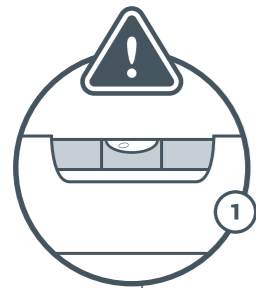
Face arrow towards projector.



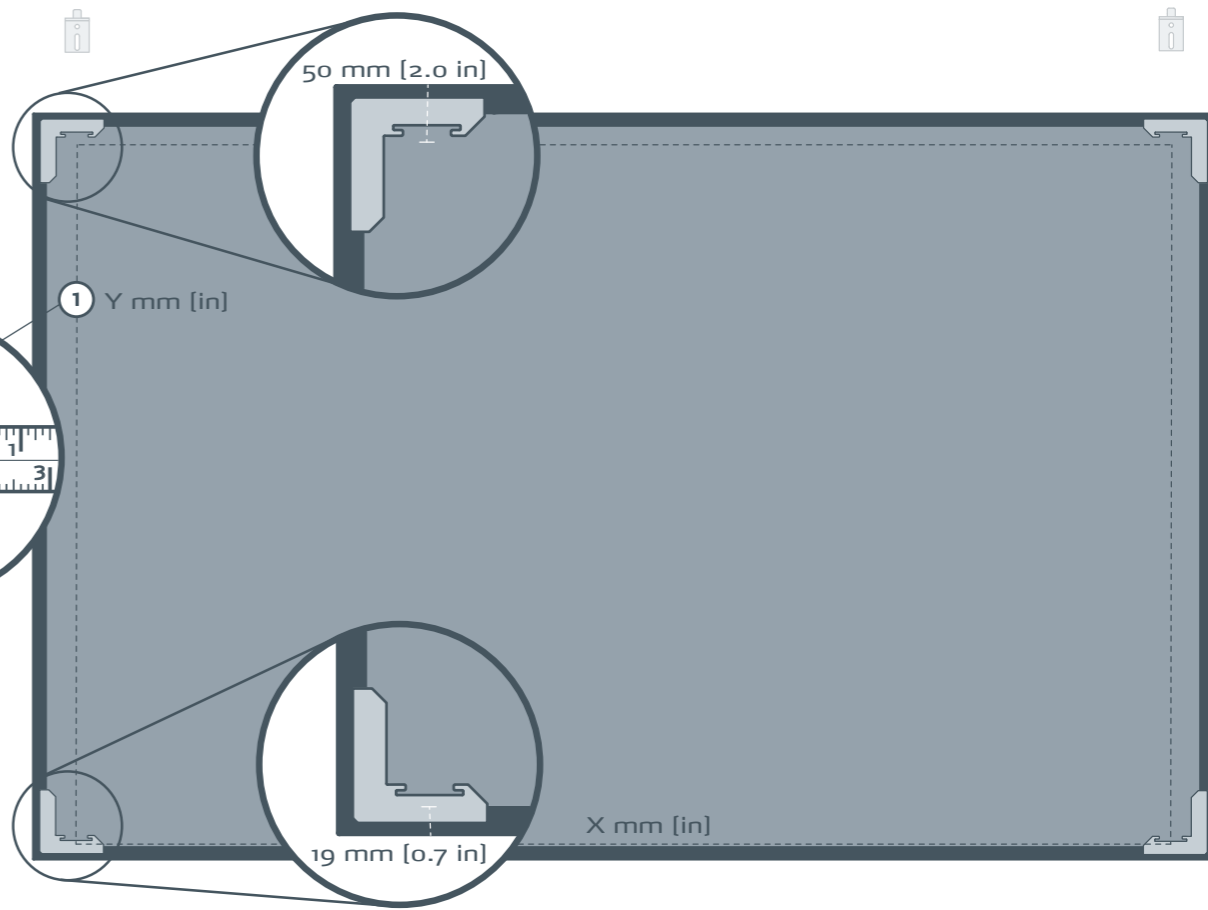
01



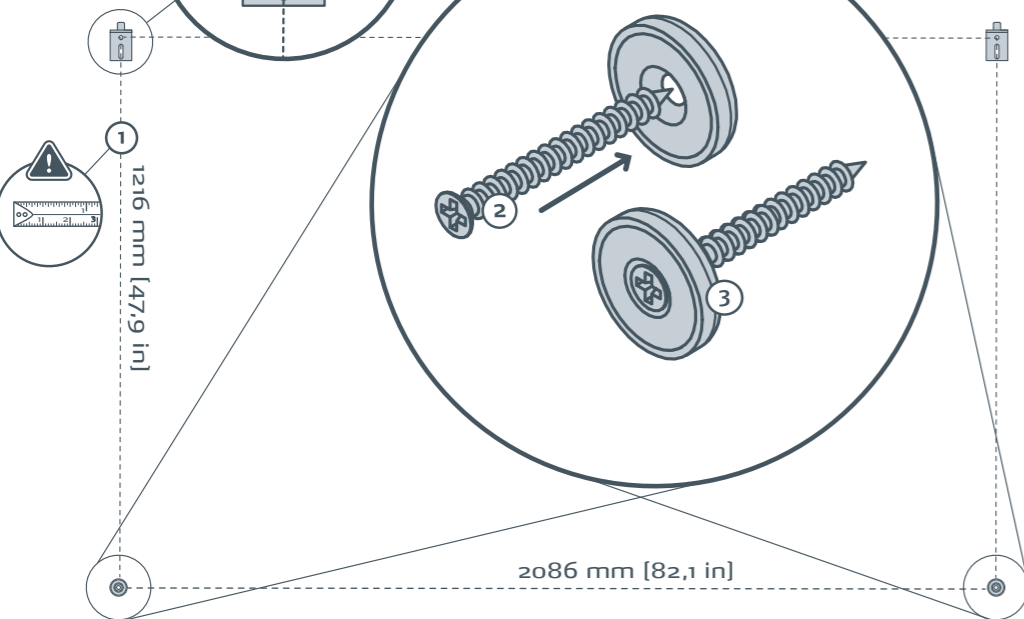
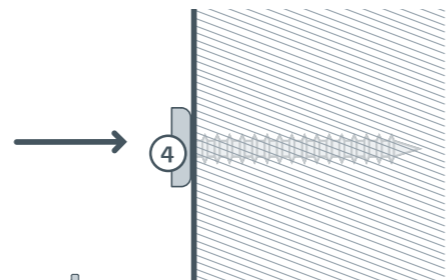
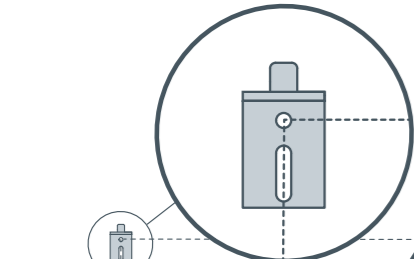
02



03



04



05

