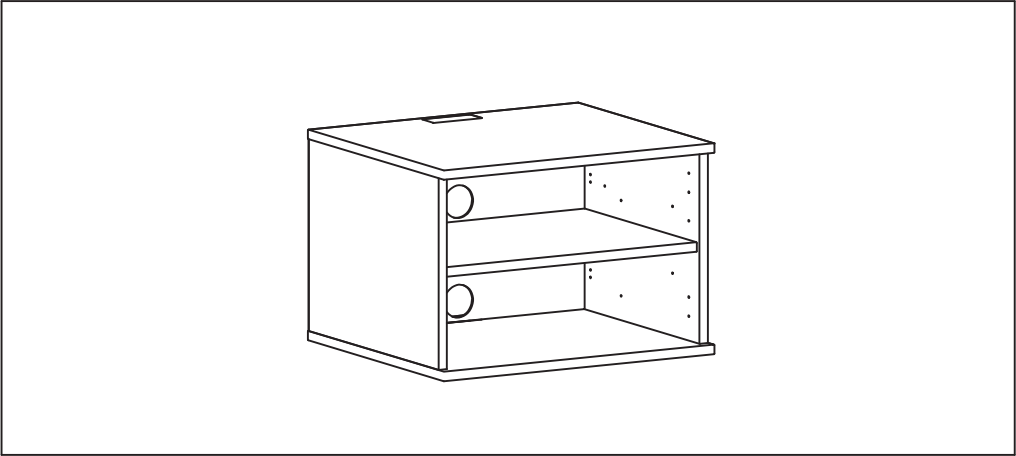




visual experience

**Cabinet 210**

Version 1.0



*Installation manual: Small cabinet, model 210*

**Alu Cover**

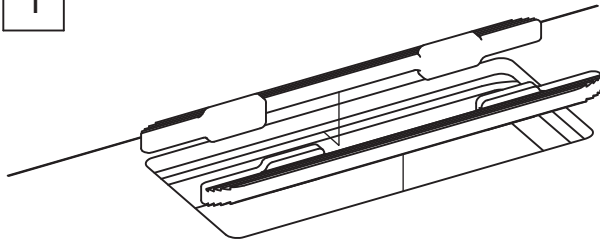


A x 1

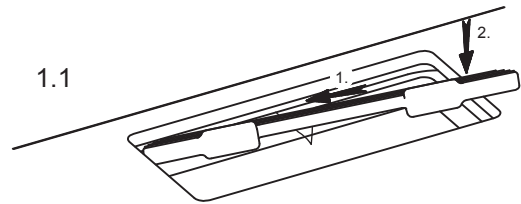


B x 2

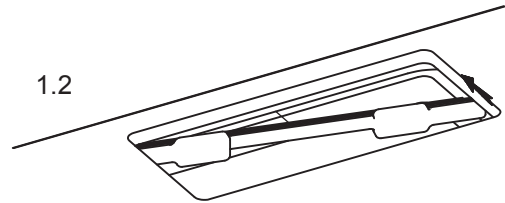
1



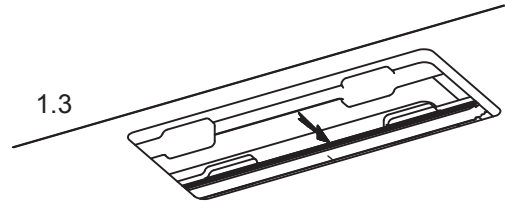
1.1



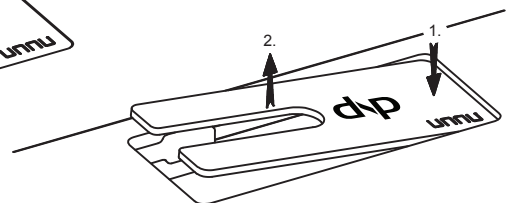
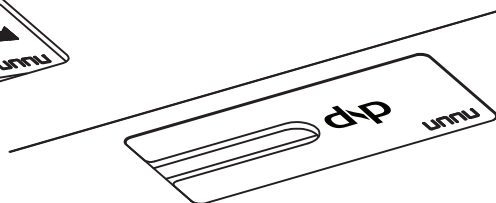
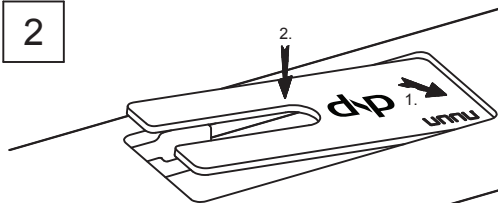
1.2



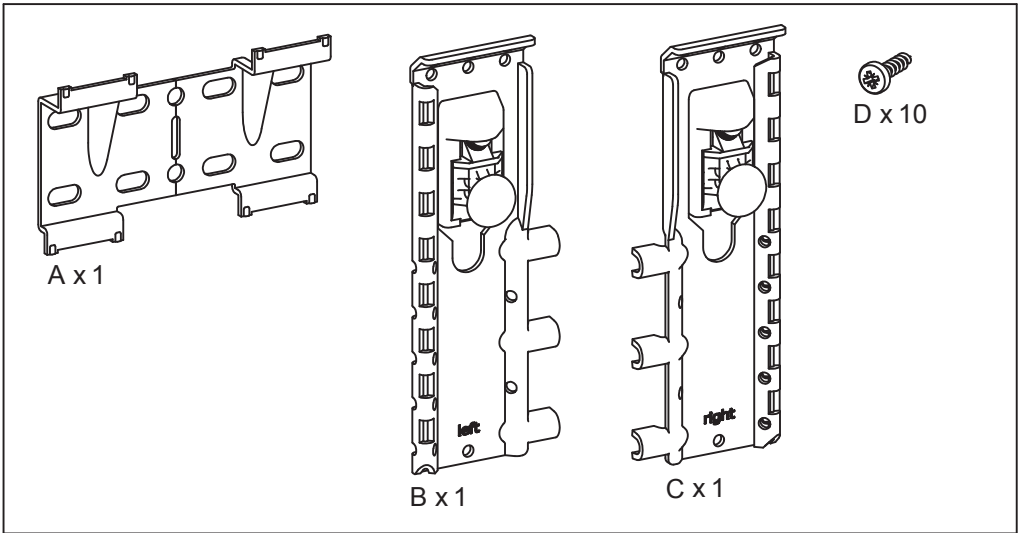
1.3



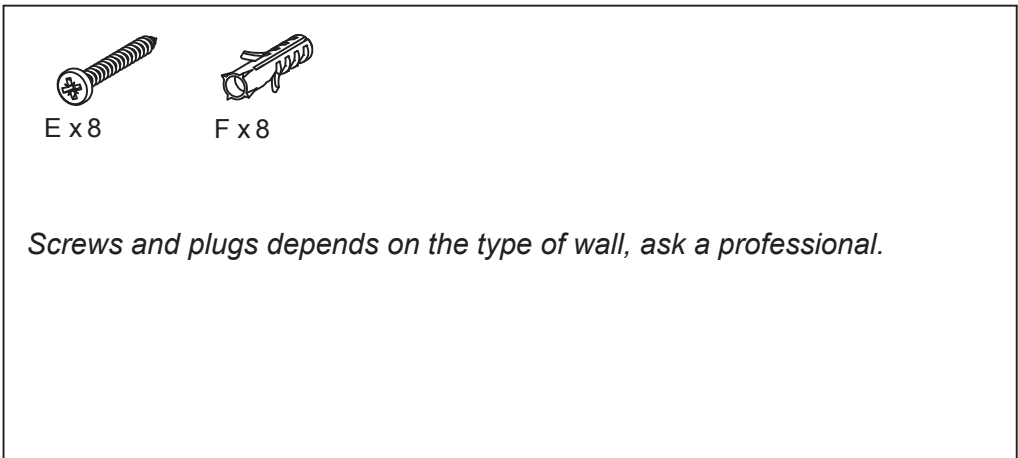
2



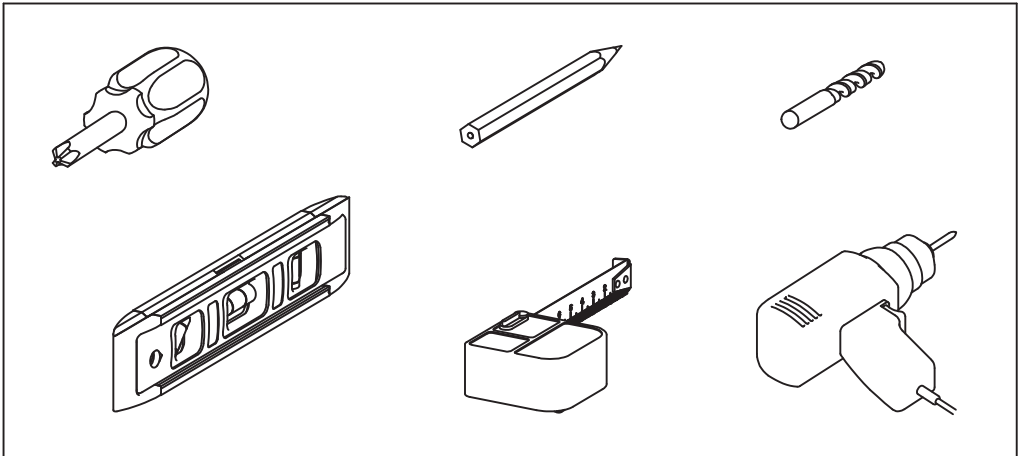
### Wallbracket 1



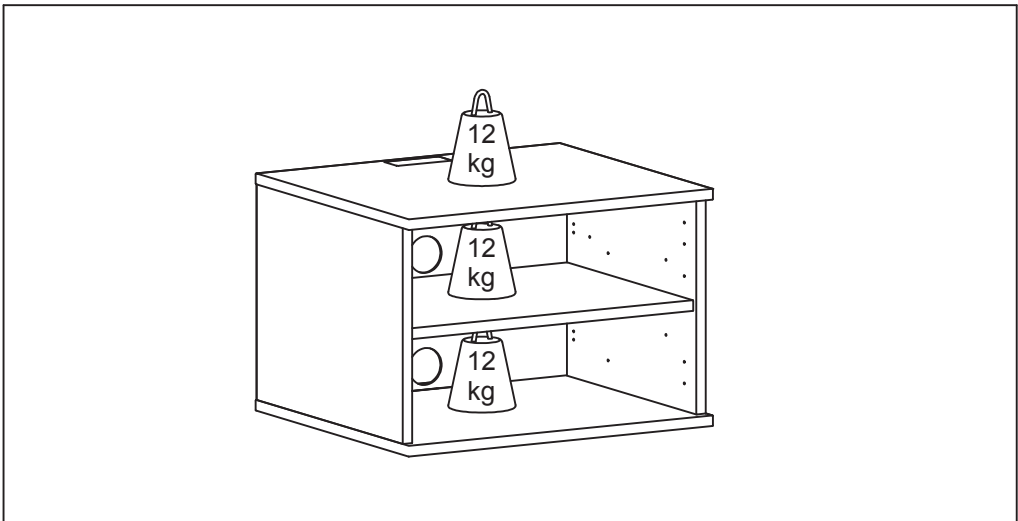
### Fittings needed (Not included)

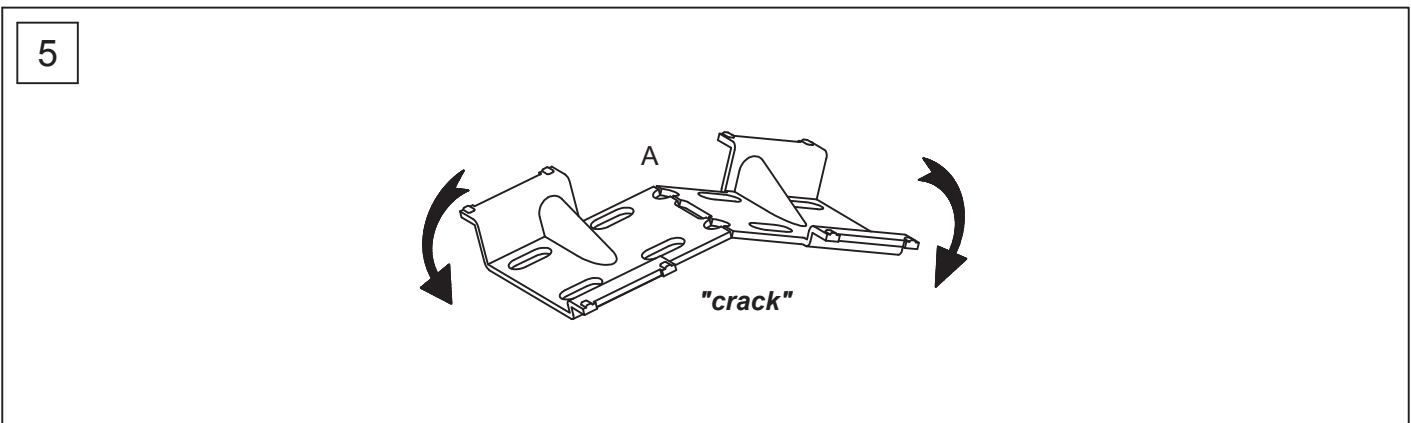
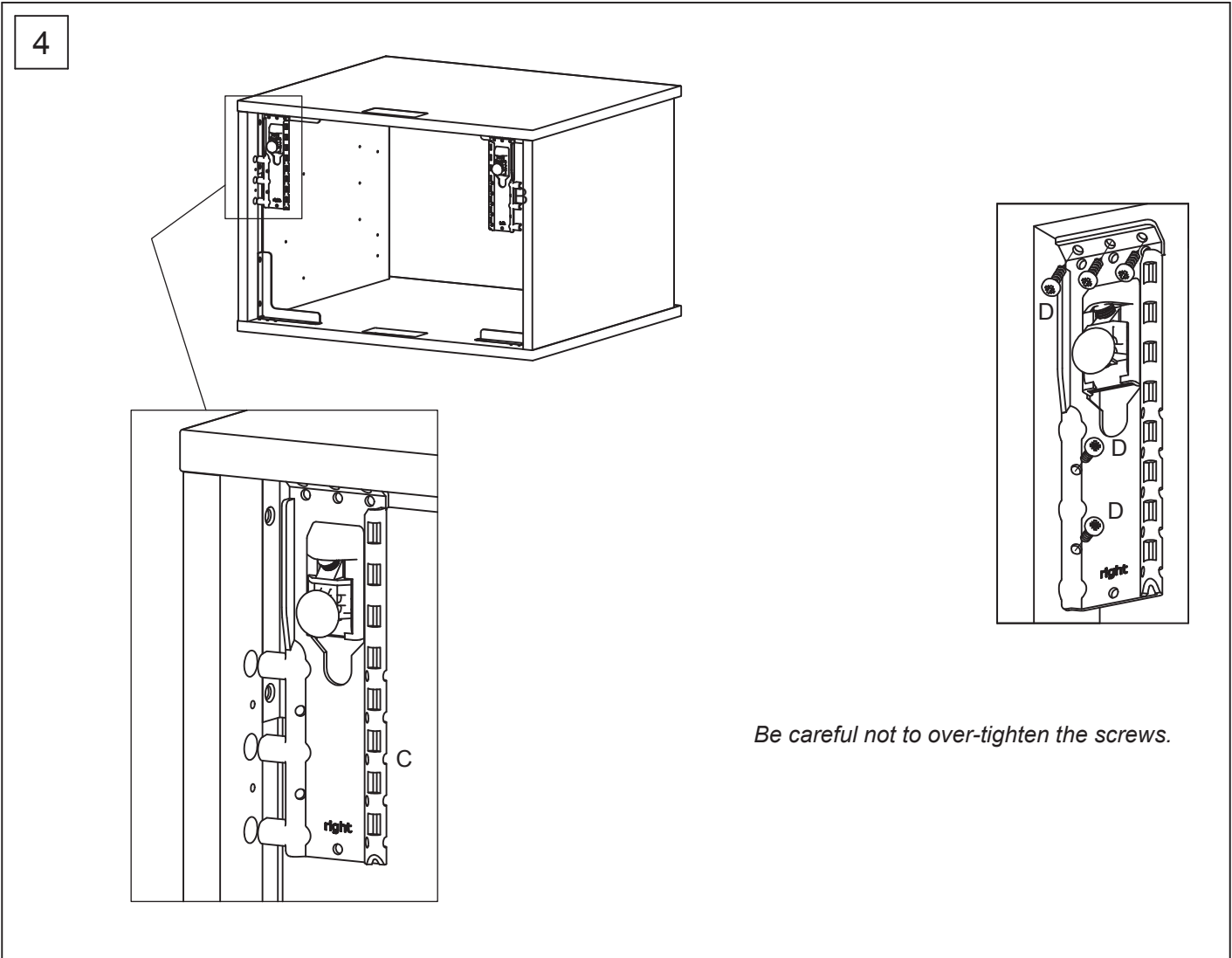
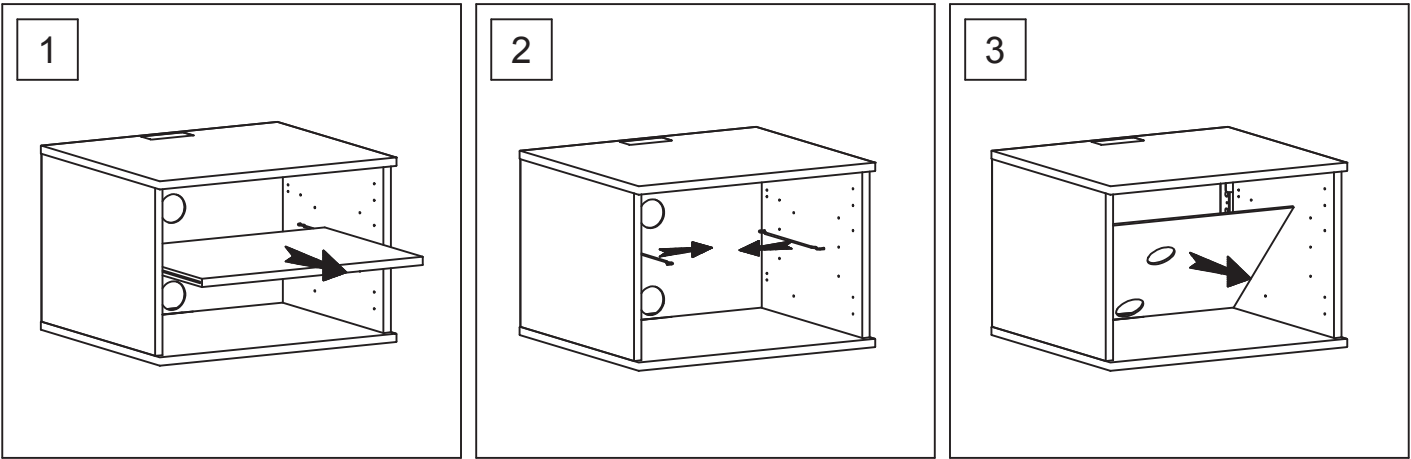


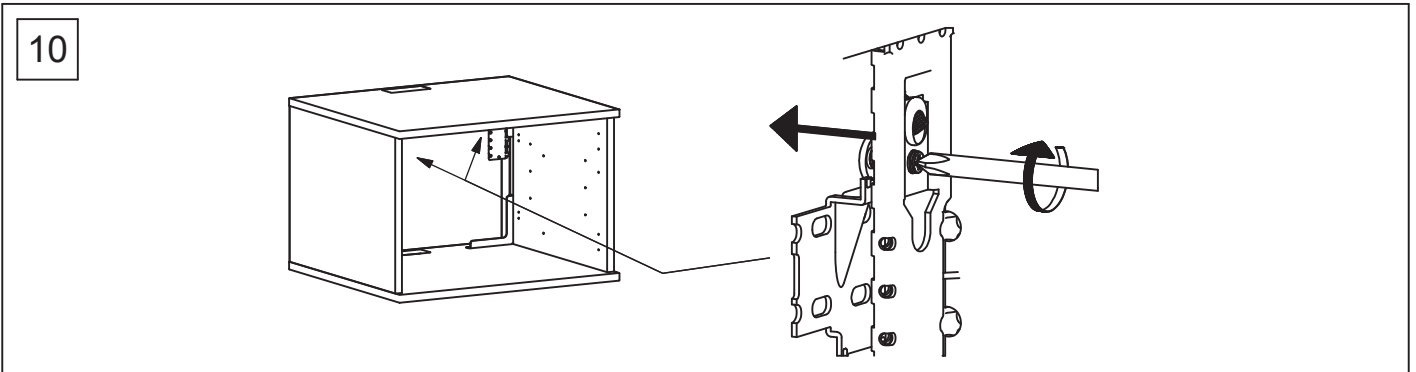
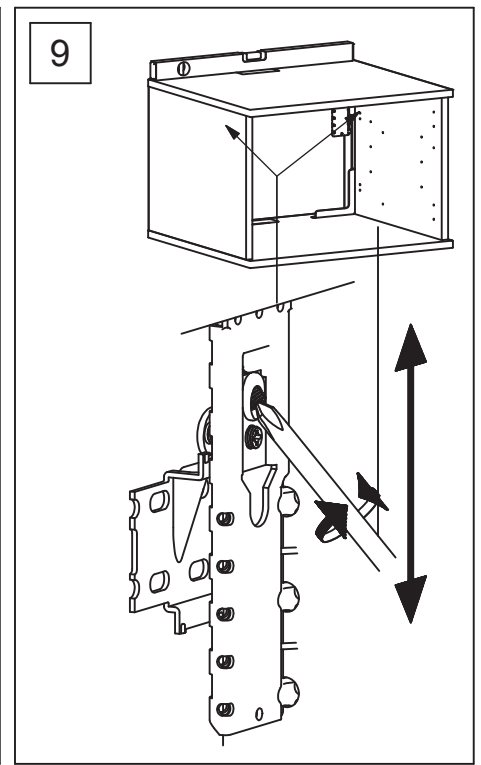
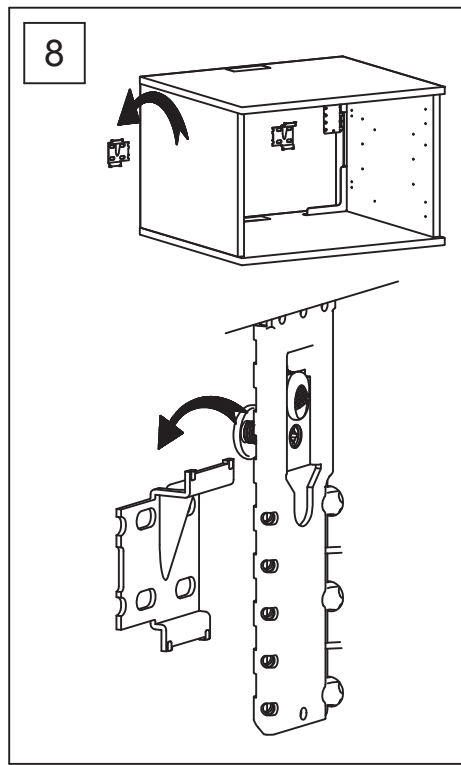
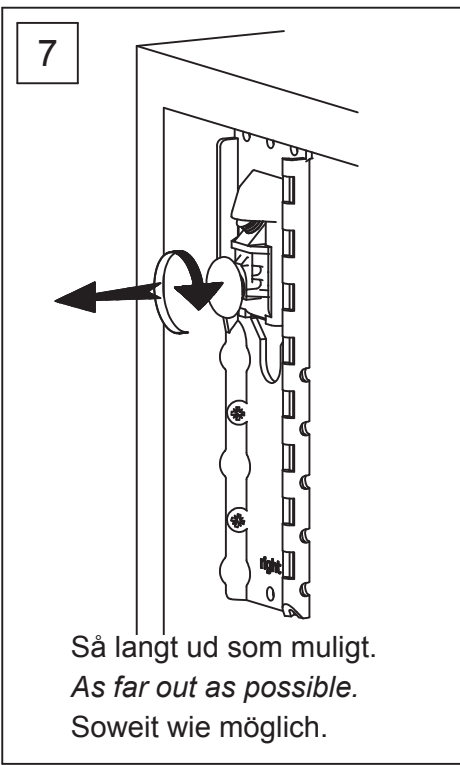
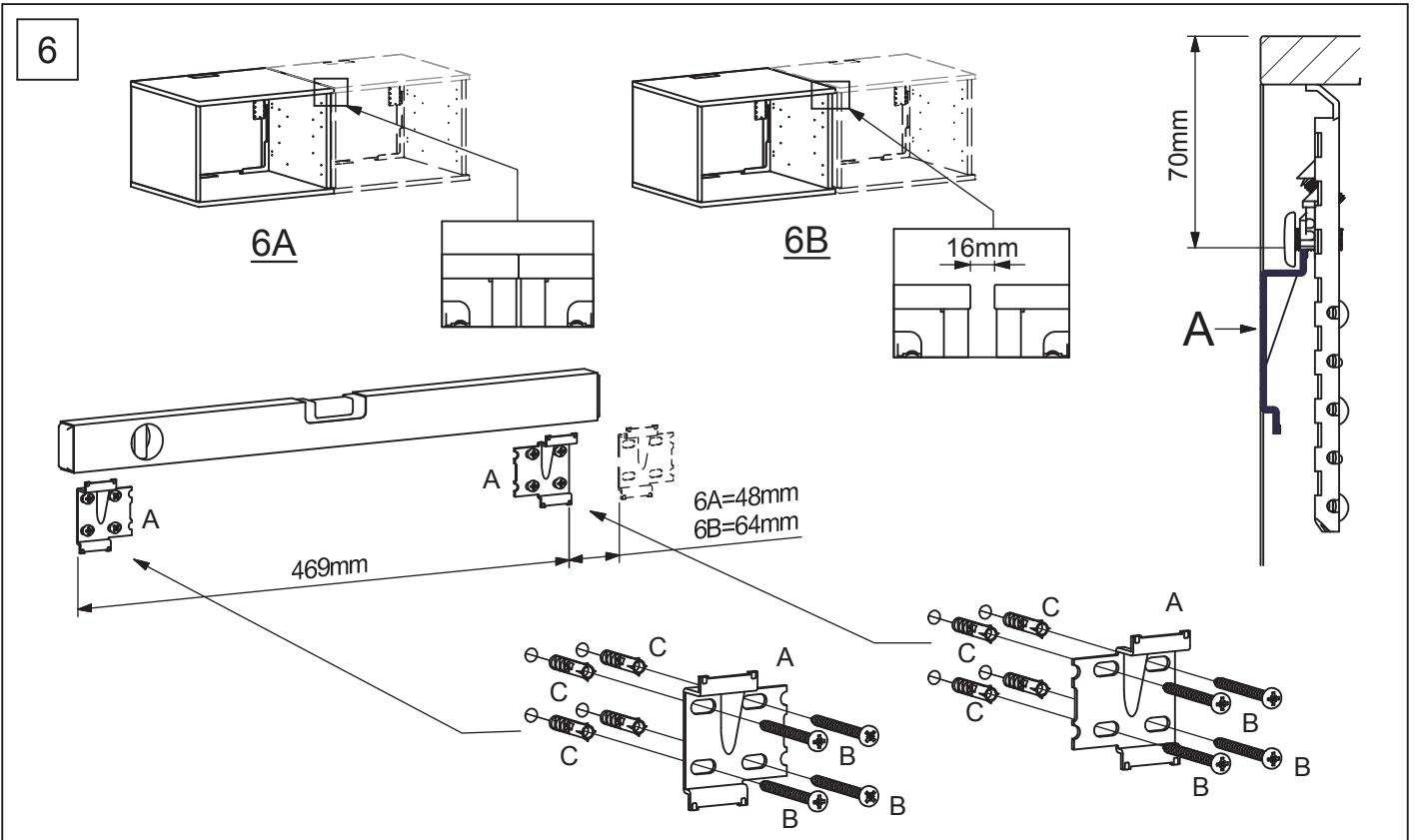
### Tools needed



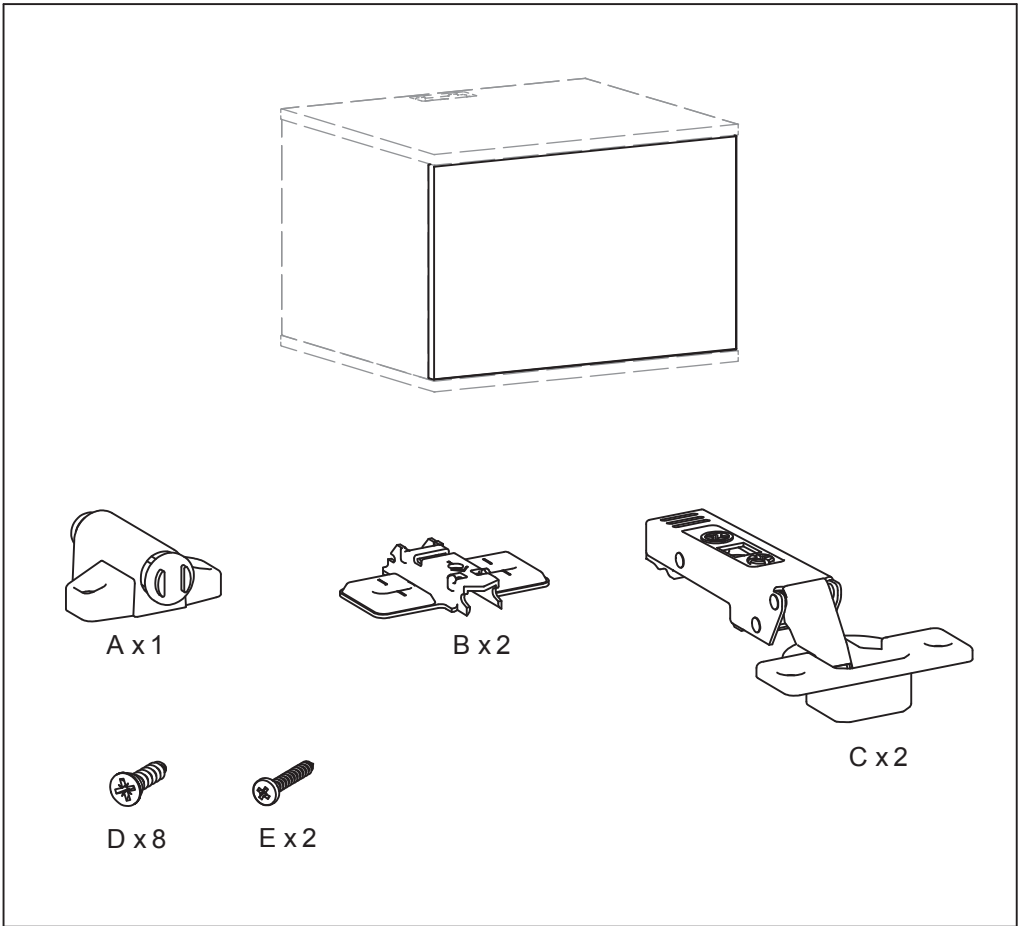
### Maximum Load



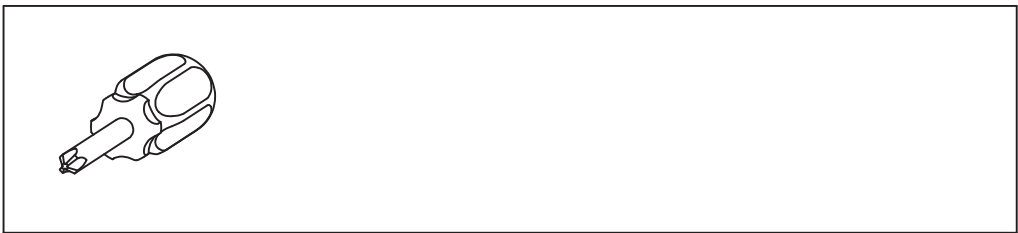




# Door



## Tools needed



1

