
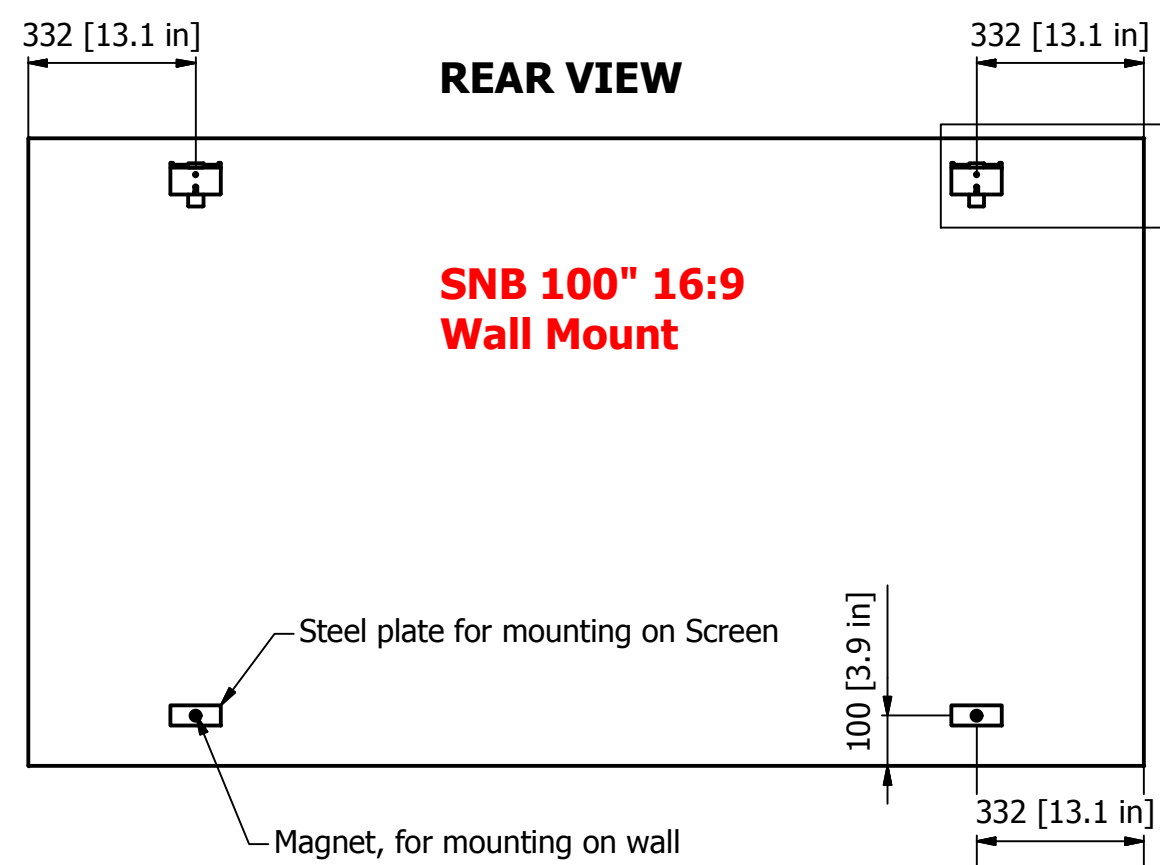
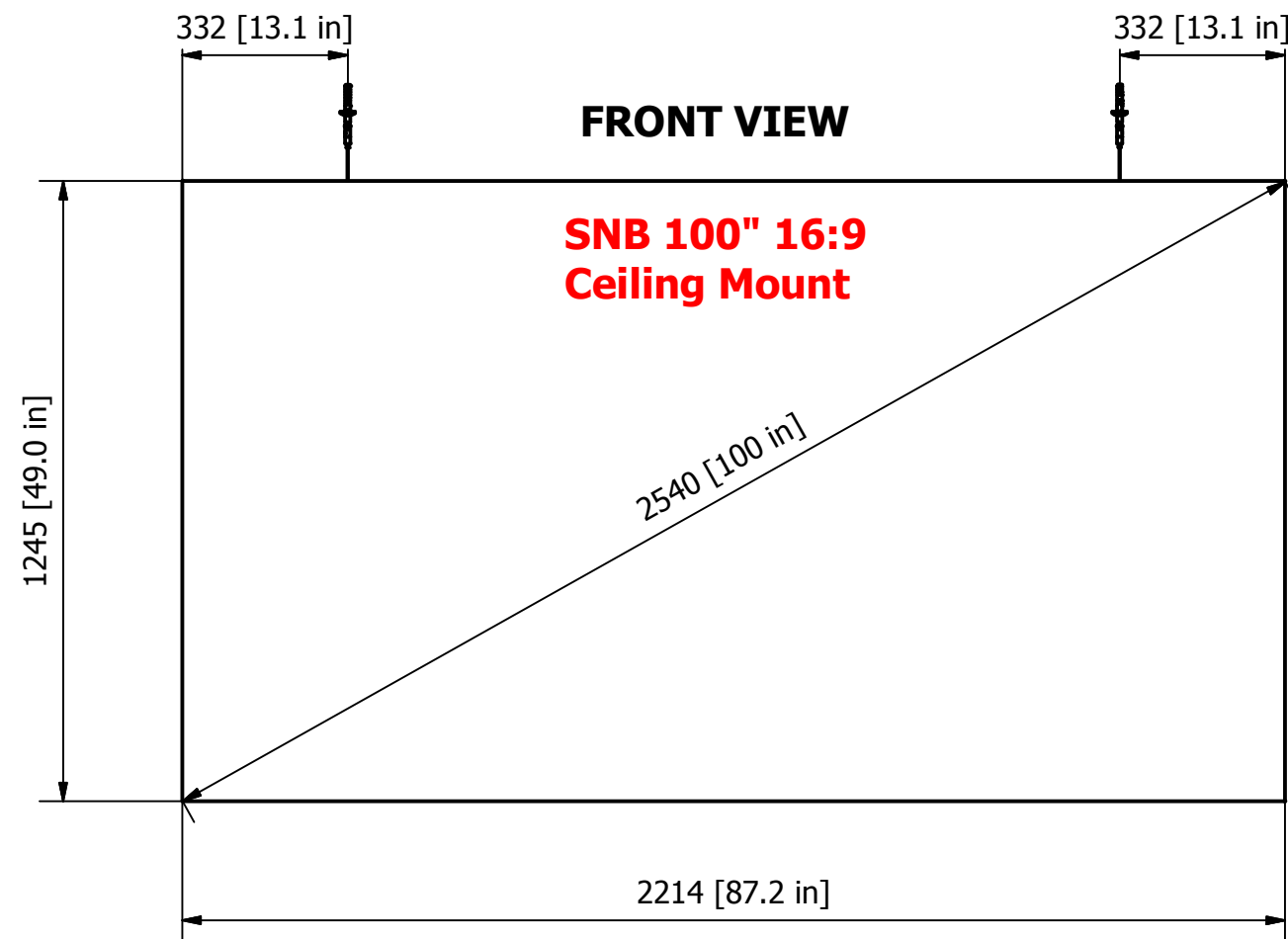
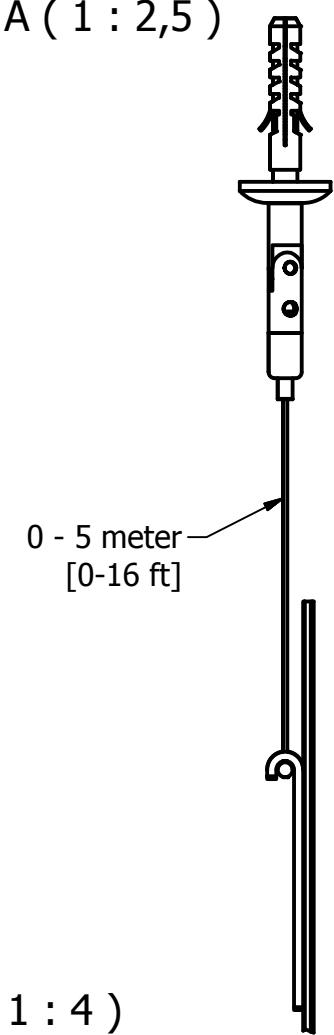


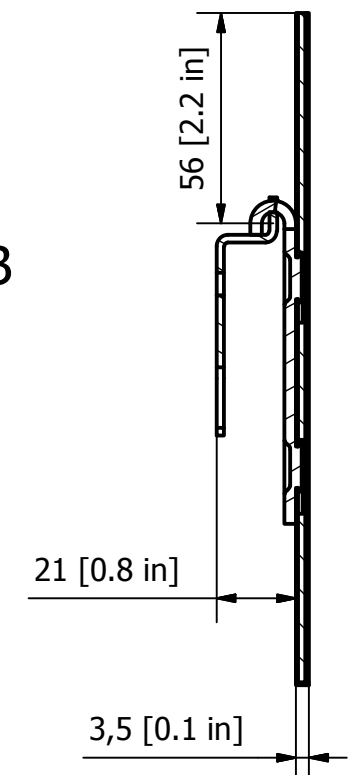
End user/project:				
Order No.:		Customer:		
dnp no.	Rev/Date/int:	Supplier:		
 dnp denmark as Skruengang 2 DK-2690 Karlslunde Denmark Tel.: +45 46 16 51 00 Website: www.dnp-screens.com	Scale	Date	Sign.	
		29-08-2016	AT	
		15-06-2016	AT	
Description: Supernova Blade 92" 16:9		Sheet: 1 of 1		
Main dimensions		Format: A3		
		Drawing No: SNB 92in 1.78		



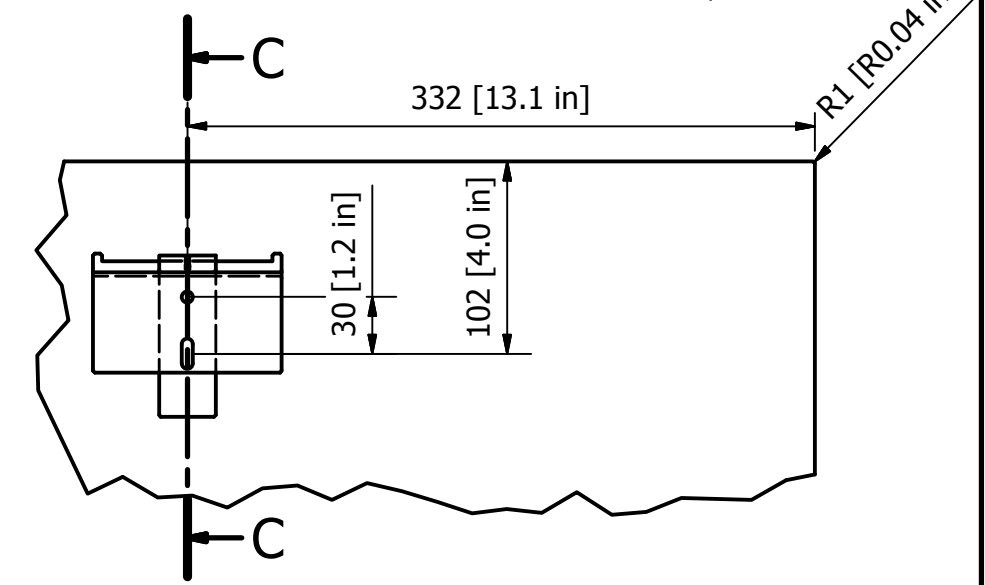
A (1 : 2,5)




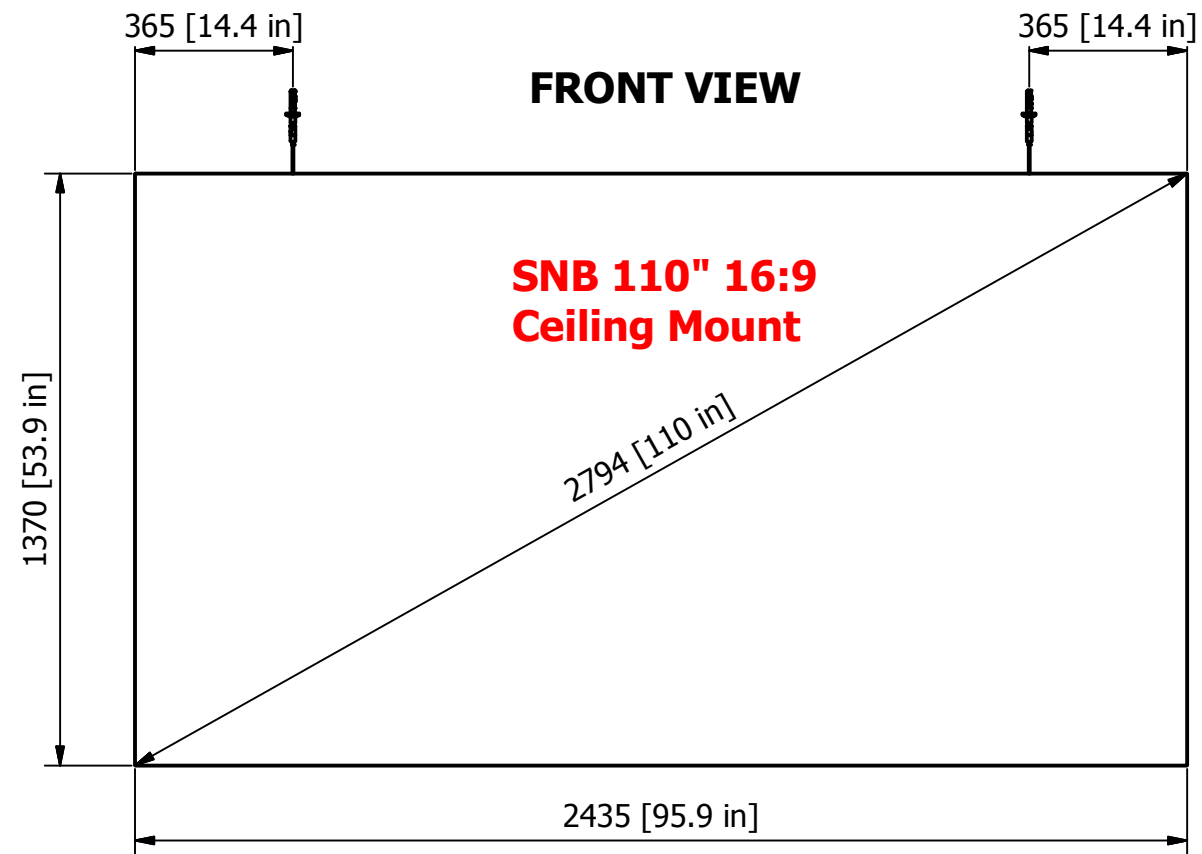
C-C (1 : 2)



B (1 : 4)



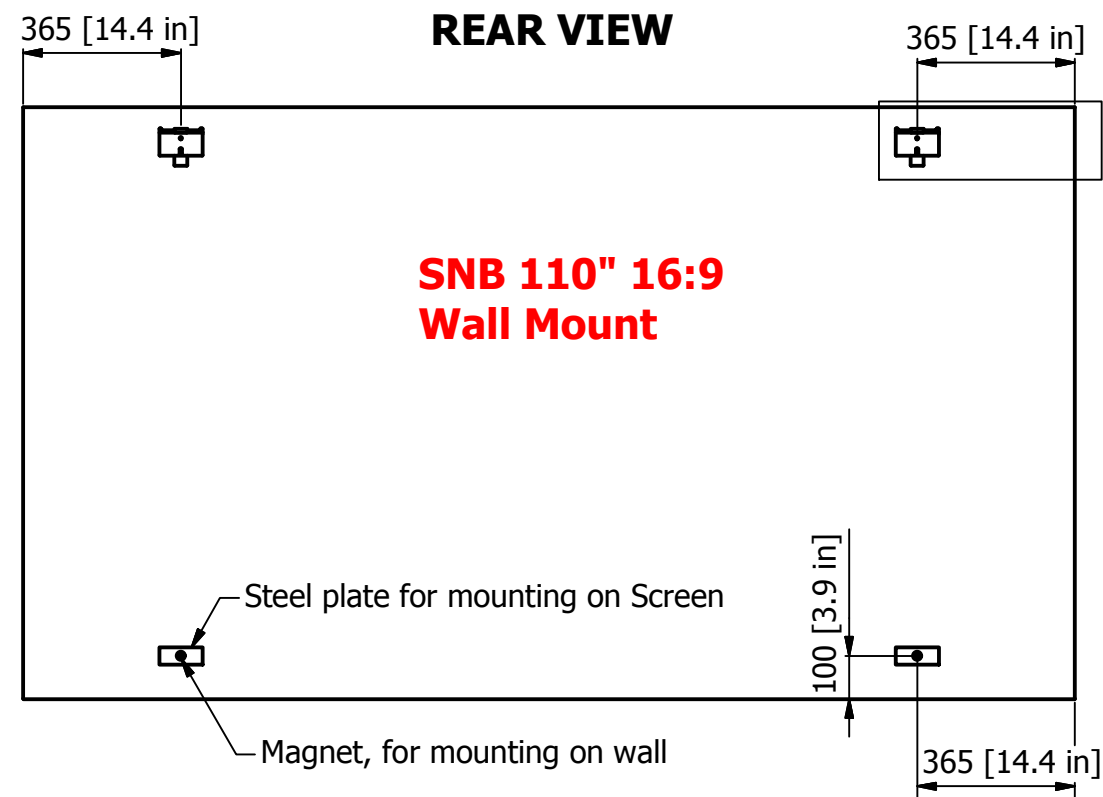
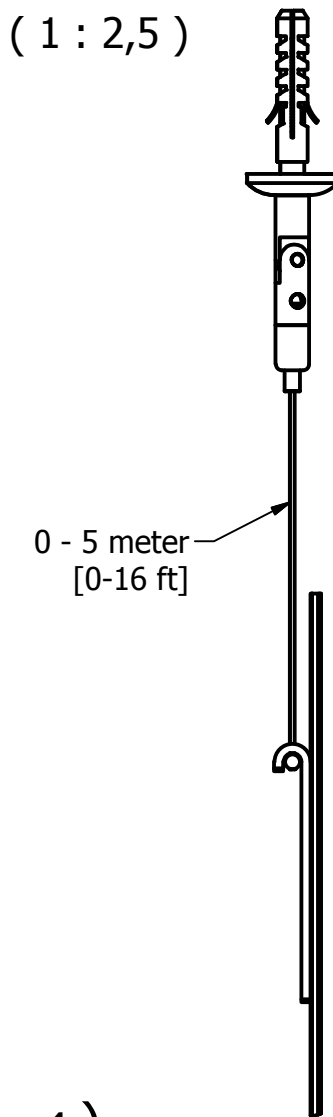
Order No.:		Customer:		
Total Weight: N/A		Material:		
 dnp denmark as Skruetangen 2 DK-2690 Karlslunde Denmark Tel.: +45 46 16 51 00 Fax: +45 46 16 52 50 Website: www.dnp.dk	Scale	Date	Sign.	
		22-05-2015	GA	
Description: Supernova Blade 100" 16:9 Main dimensions		Sheet: 1 of 1	Format: A3	
		Drawing No: SNB 100in 1.78		



A

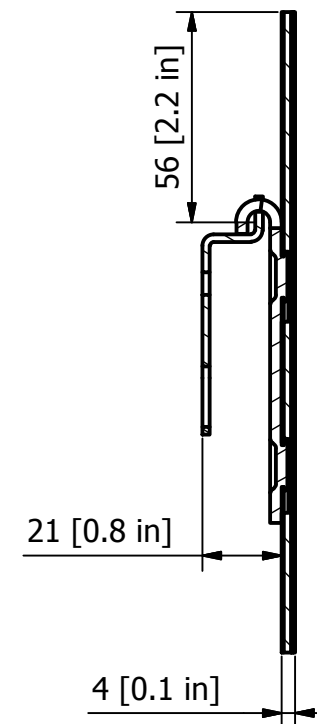


A (1 : 2,5)

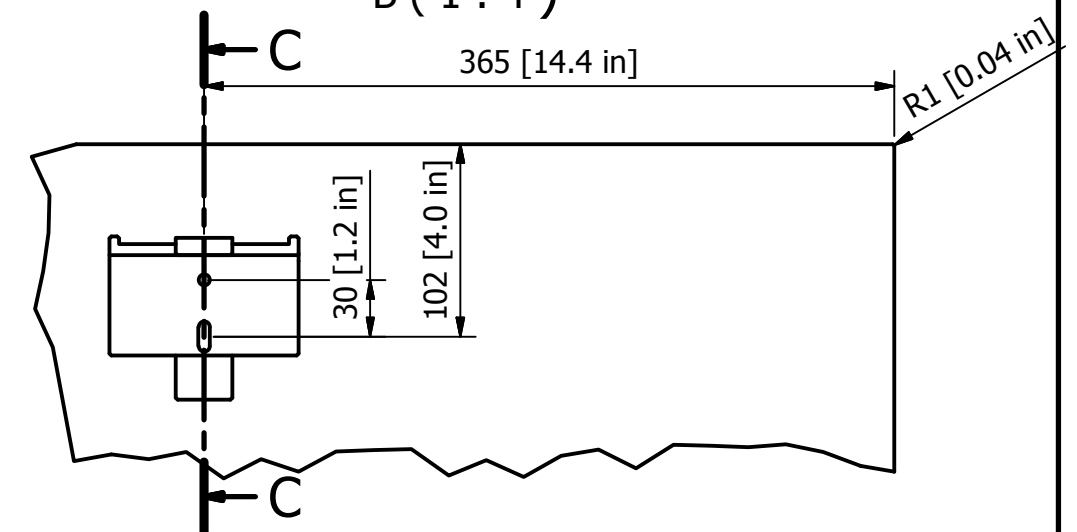



B

C-C (1 : 2)

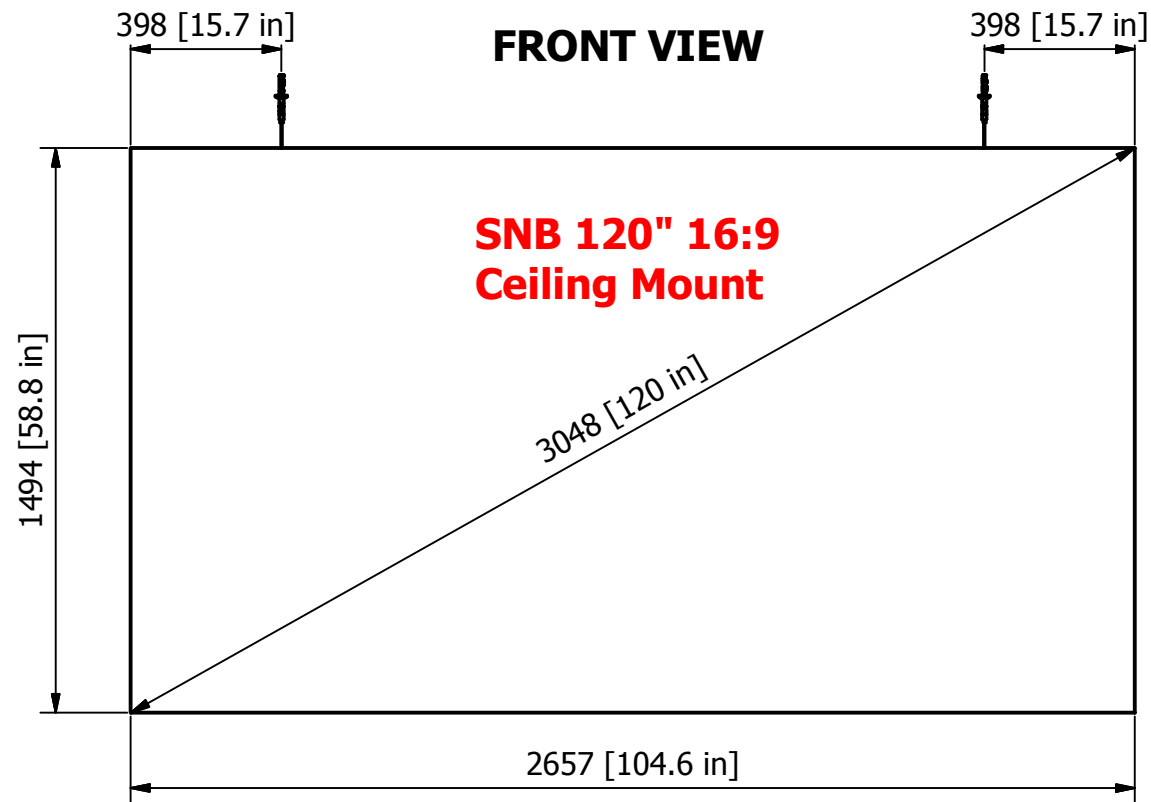


B (1 : 4)



Order No.:		Customer:		
Total Weight: N/A		Material:		
 dnp denmark as Skrugangen 2 DK-2690 Karlslunde Denmark Tel.: +45 46 16 51 00 Fax: +45 46 16 52 50 Website: www.dnp.dk	Scale	Date	Sign.	
		22-05-2015	ga	
Description: Supernova Blade 110" 16:9 Main dimensions		Sheet: 1 of 1	Format: A3	
		Drawing No: SNB 110in 1.78		

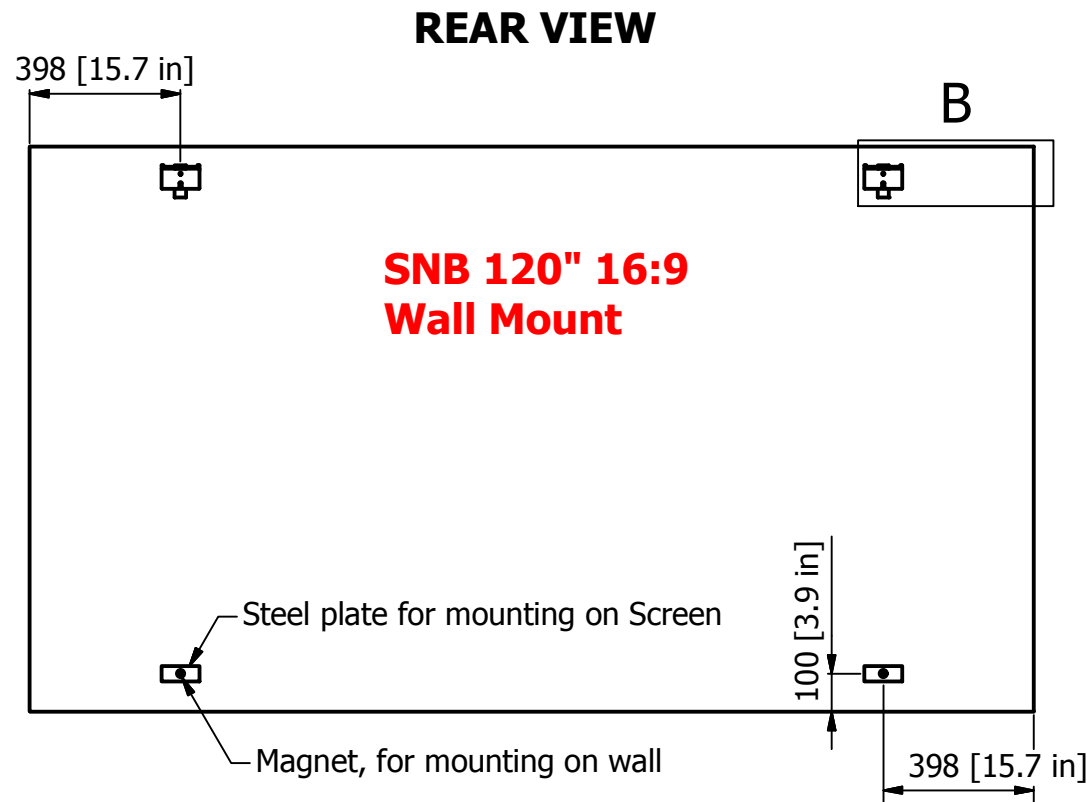
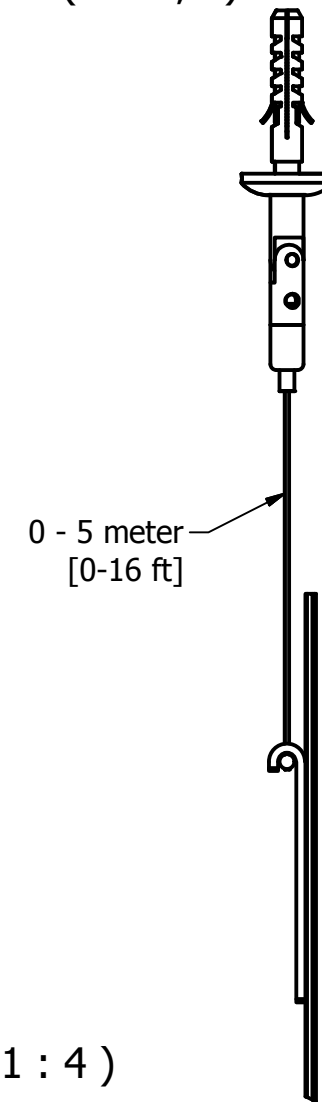
T:\(GA) Tegninger (Sync)\Div Produkter\SN Blade_STD SIZE\SNB 110in 1.78.idw Measure without tolerance according DS/ISO 2768-m



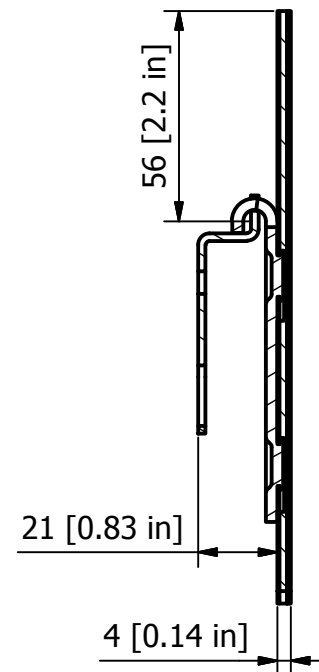
A



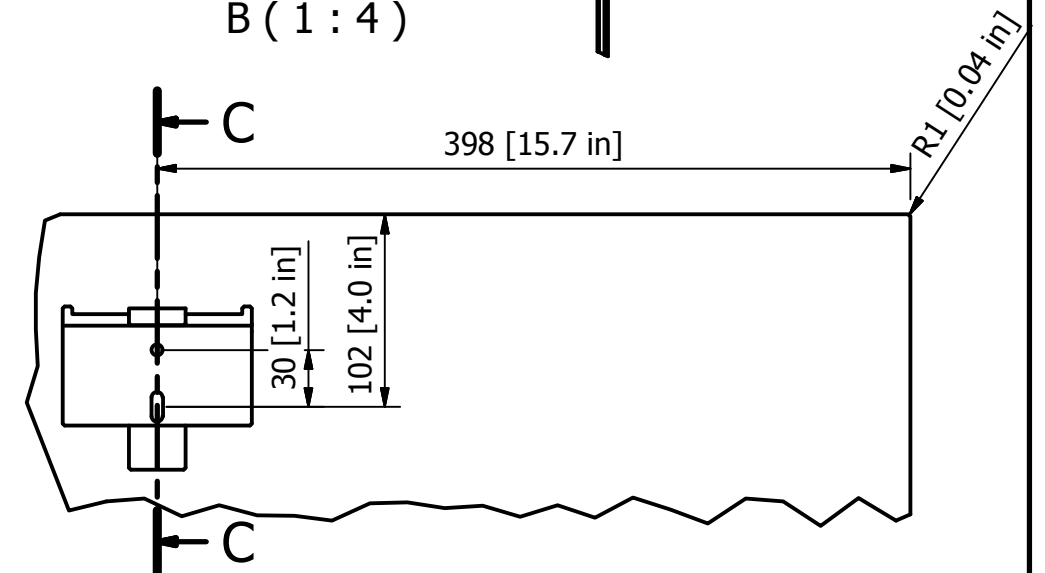
A (1 : 2,5)




C-C (1 : 2)



B (1 : 4)



Order No.:		Customer:		
Total Weight: 19,10 kg		Material:		
 dnp denmark as Skruetangen 2 DK-2690 Karlslunde Denmark Tel.: +45 46 16 51 00 Fax: +45 46 16 52 50 Website: www.dnp.dk	Scale	Date	Sign.	
		22-05-2015	ga	
Description: Supernova Blade 120" 16:9 Main dimensions		Sheet: 1 of 2 Format: A3		
		Drawing No: SNB 120in 1.78		