
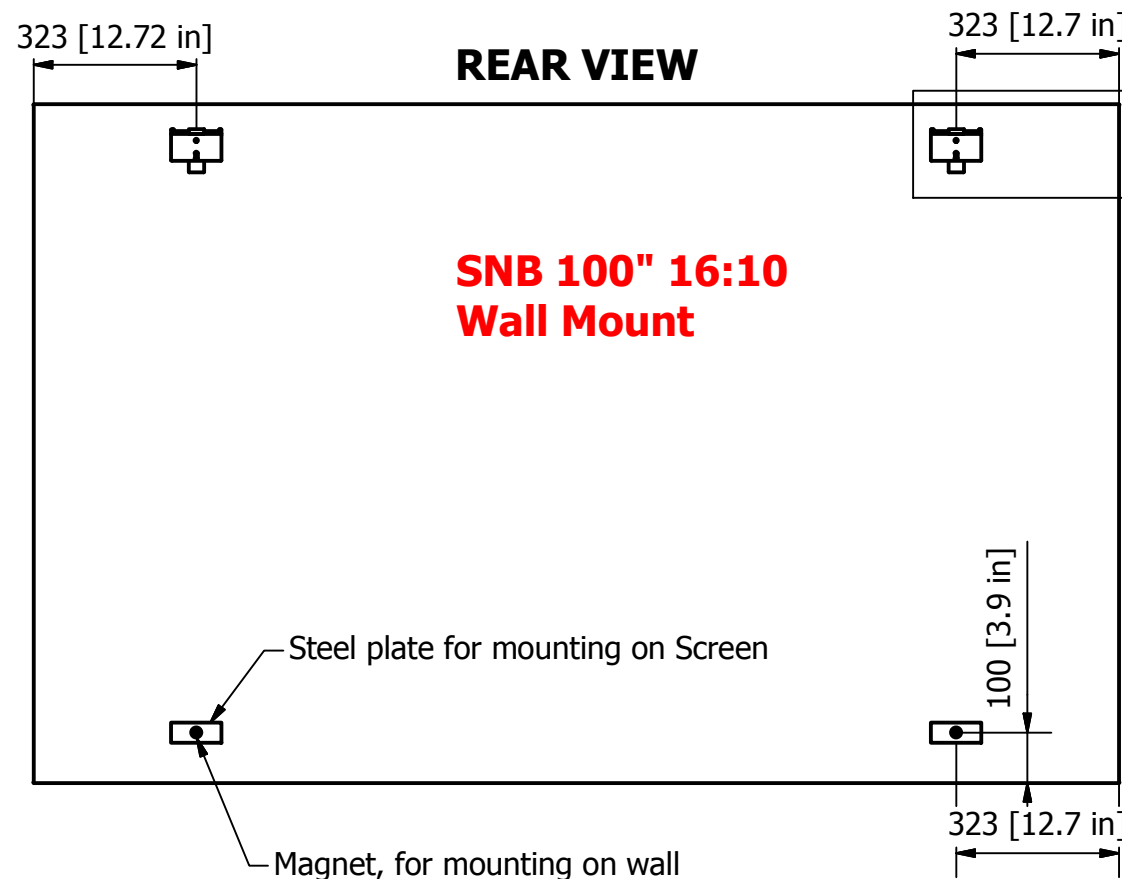
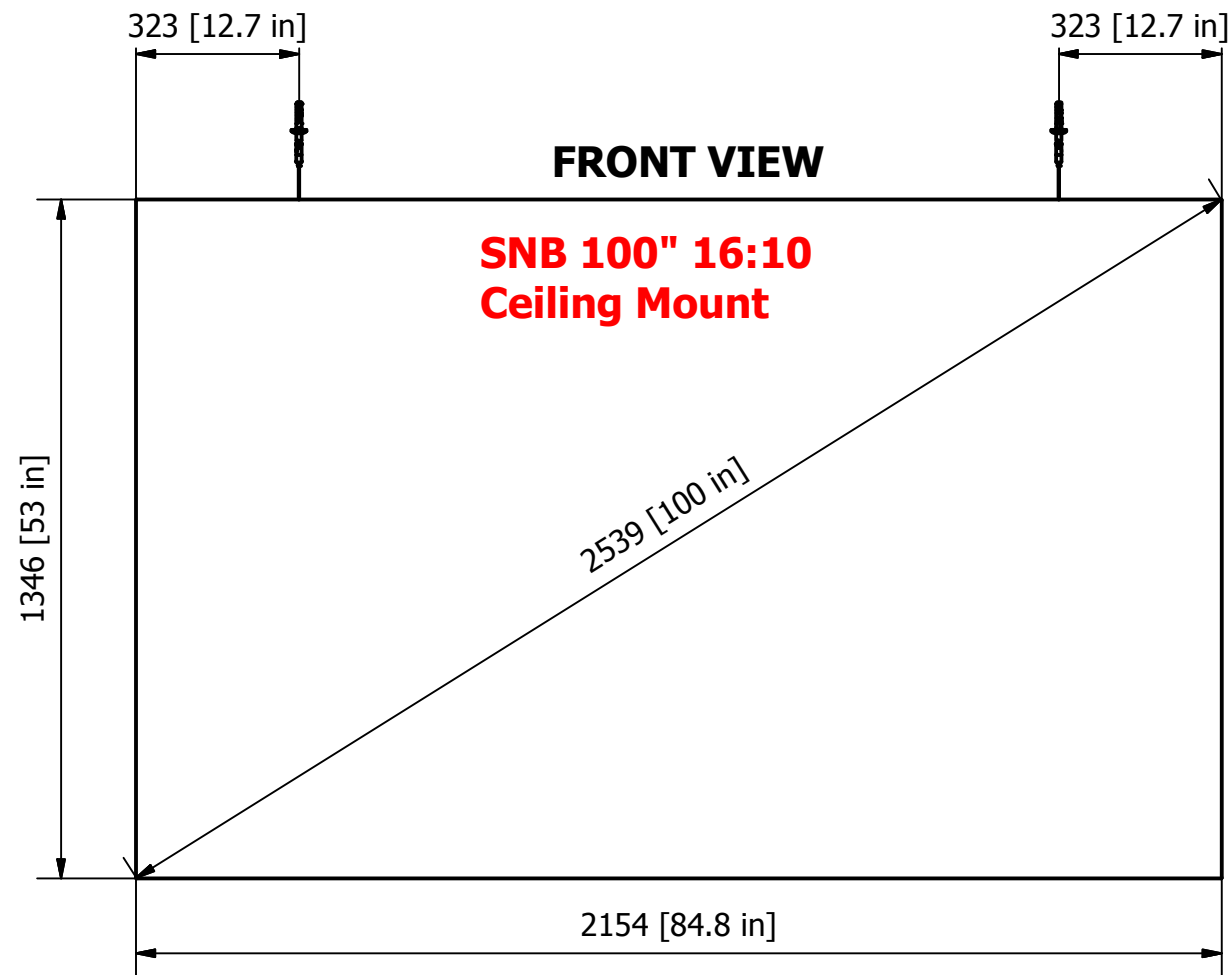
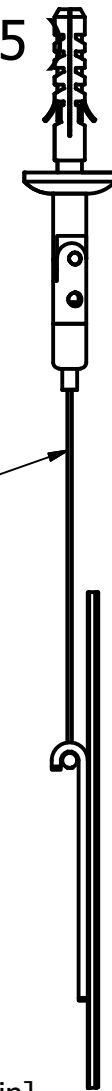


End user/project:				
Order No.:		Customer:		
dnp no.	Rev/Date/int:	Supplier:		
 dnp denmark as Skruegangen 2 DK-2690 Karlslunde Denmark Tel.: +45 46 16 51 00 Website: www.dnp-screens.com	Scale	Date	Sign.	
		18-08-2016	AT	
		15-06-2016	AT	
Description: Supernova Blade 92" 16:10 Main dimensions		Sheet: 1 of 1	Format: A3	
		Drawing No: SNB 92in 1.60		

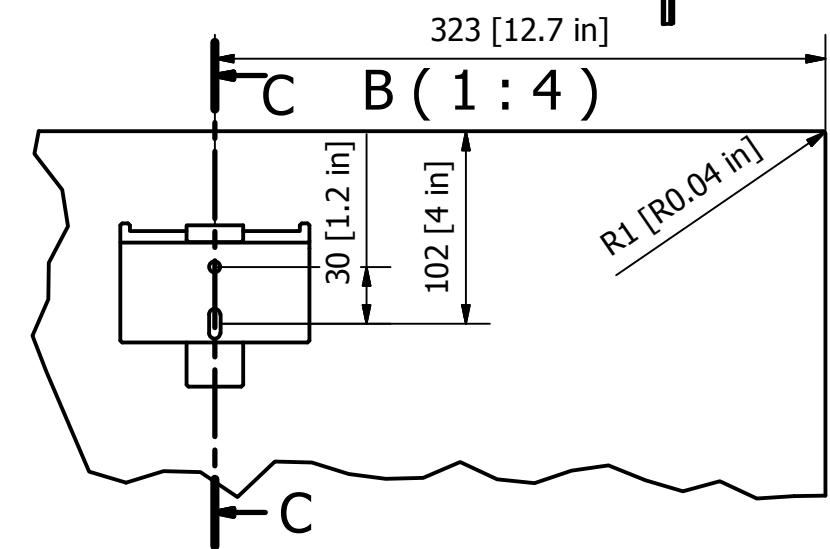
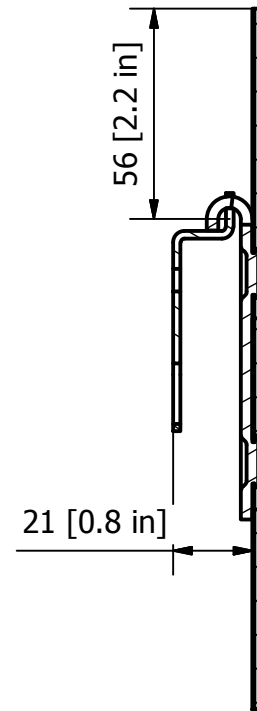



A (1 : 2,5

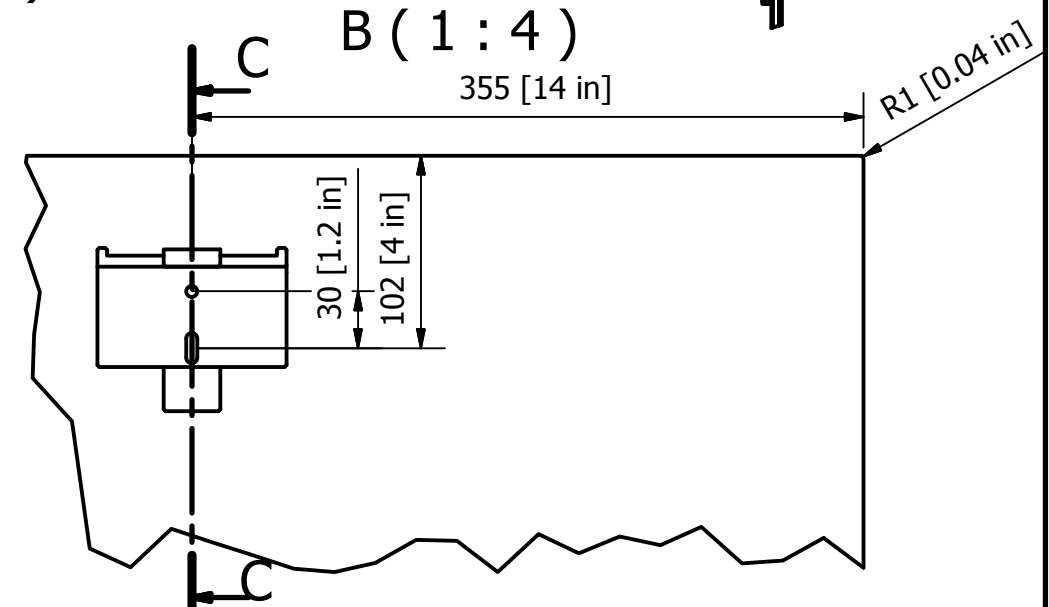
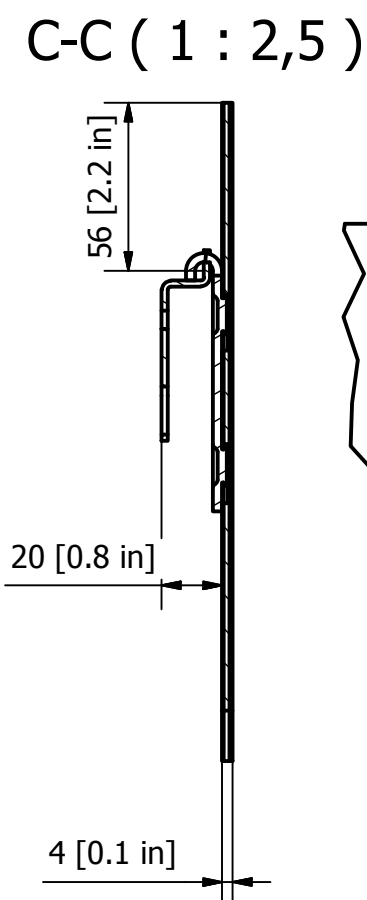
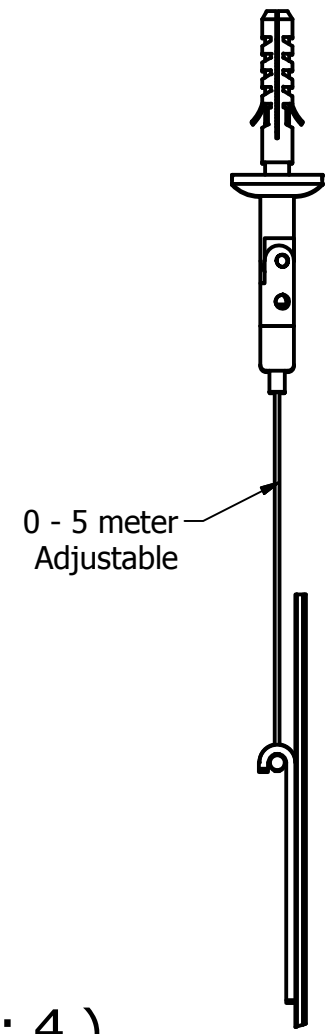
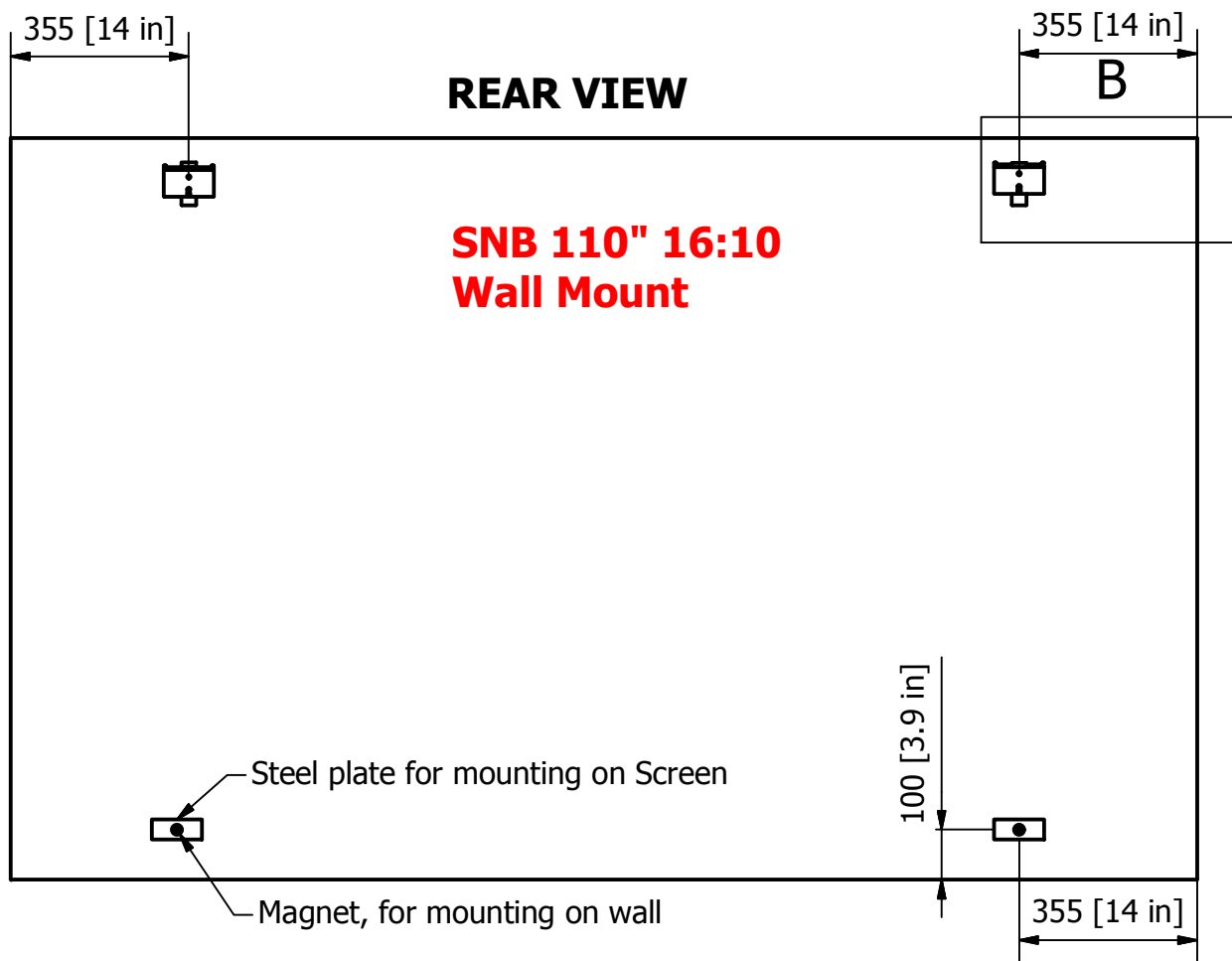
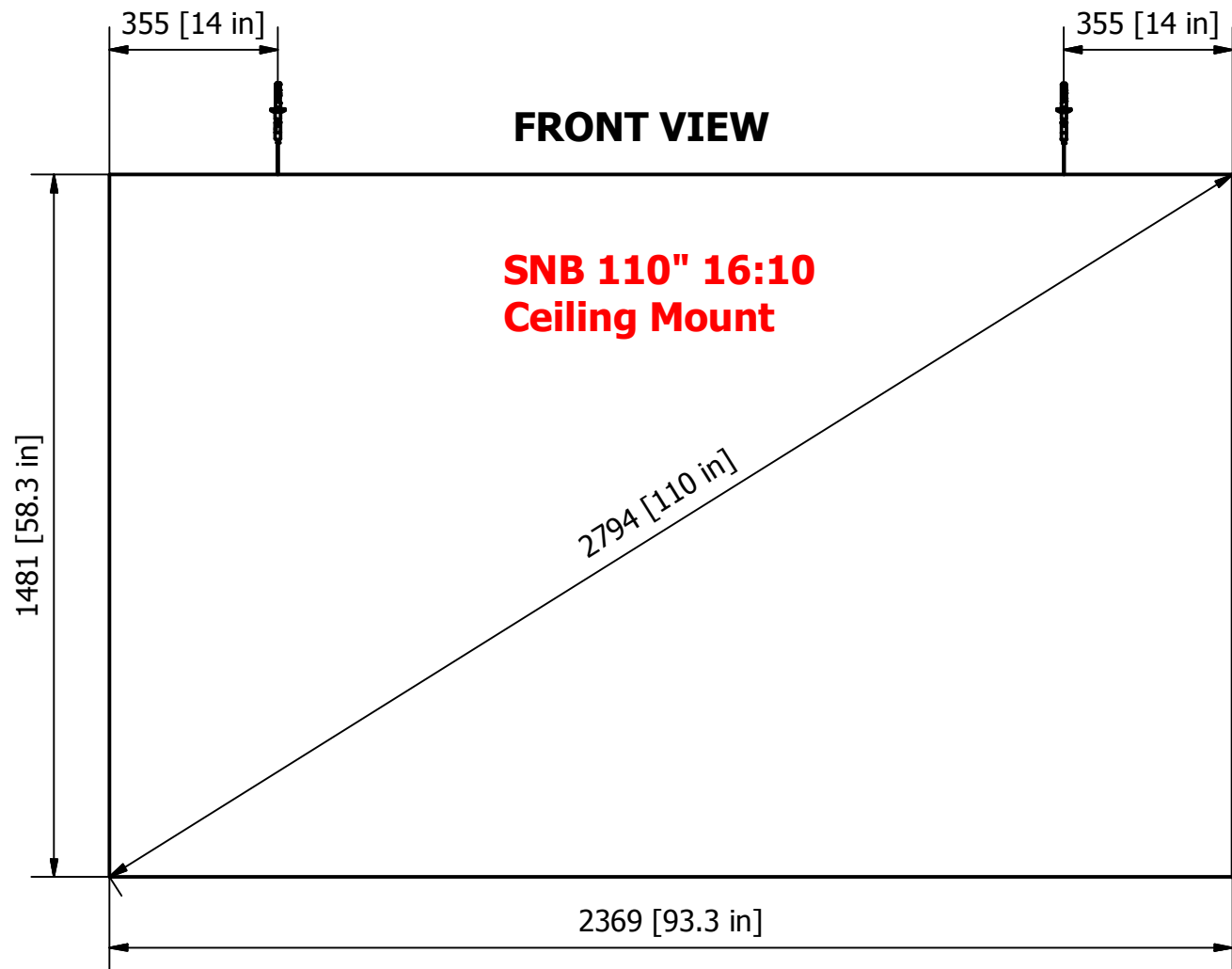
0 - 5 meter
 [0-16 ft]




C-C (1 : 2)



End user/project:				
Order No.:		Customer:		
dnp no.	Rev/Date/int:	Supplier:		
 dnp denmark as Skruegangen 2 DK-2690 Karlslunde Denmark Tel.: +45 46 16 51 00 Website: www.dnp-screens.com	Scale	Date	Sign.	
		14-07-2016	GA	
Description: Supernova Blade 100" 16:10 Main dimensions		Sheet: 1 of 3	Format: A3	
		Drawing No: SNB 100in 1.60		



Order No.:		Customer:		
Total Weight:N/A		Material:		
 dnp denmark as Skruengang 2 DK-2690 Karlslunde Denmark Tel.: +45 46 16 51 00 Fax: +45 46 16 52 50 Website: www.dnp.dk	Scale	Date	Sign.	
		08-10-2014	GA	
Description: Supernova Blade 110" 16:10 Main dimensions		Sheet: 1 of 2	Format: A3	
		Drawing No: SN Blade 110in 1.60		