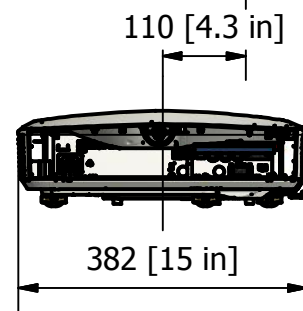
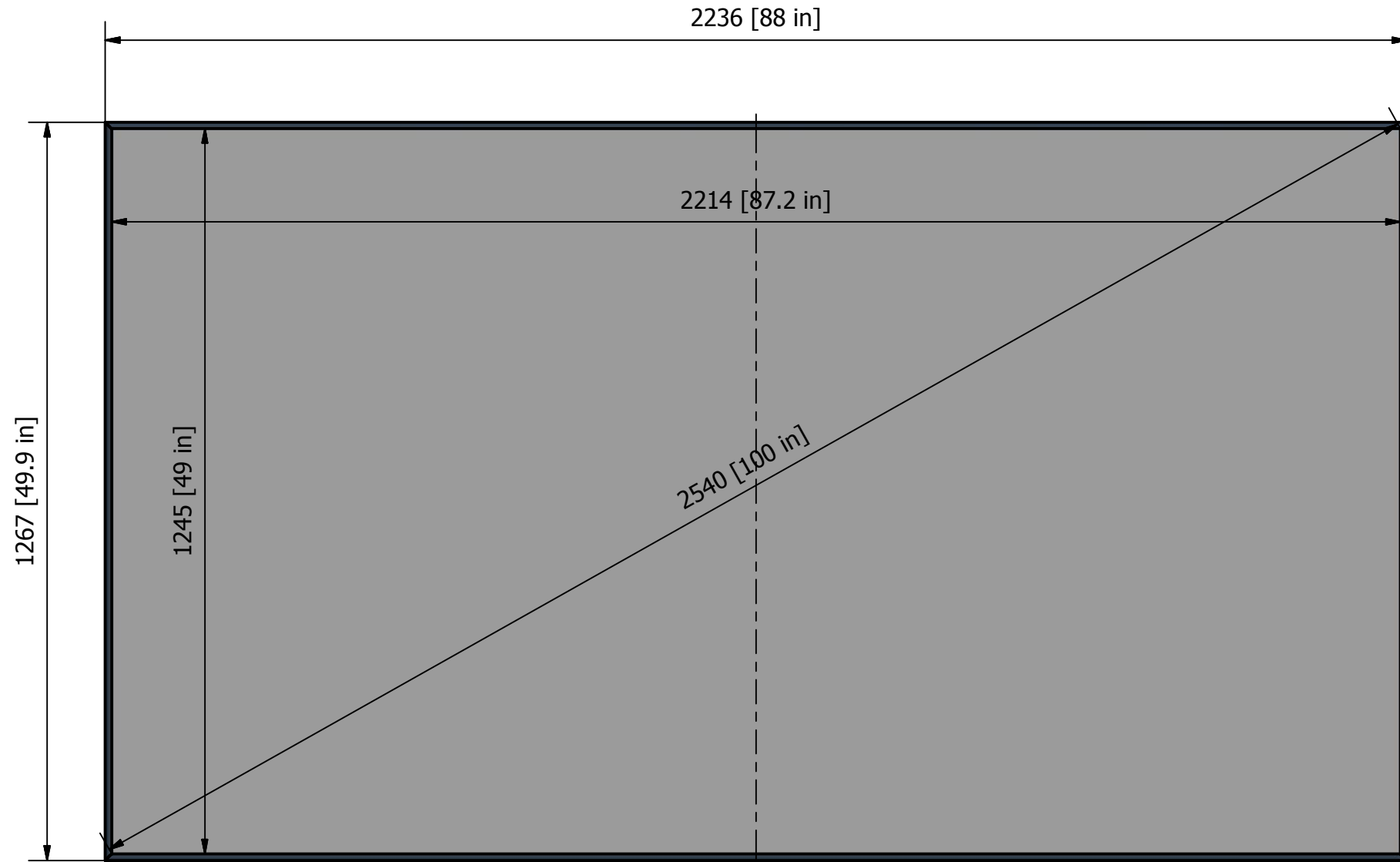



dnp LaserPanel



30 [1.2 in]



<b>Order No.:</b>		<b>Customer:</b>		
Total Weight: N/A		Material:		
 dnp denmark as Skruetangen 2 DK-2690 Karlslunde Denmark Tel.: +45 46 16 51 00 Fax: +45 46 16 52 50 Website: www.dnp.dk visual experience	Scale	Date	Sign.	
	1:10	21-09-2015	sn	
Description: dnp LaserPanel Front		Sheet: 1 of 2	Format: A3	
		Drawing No: dnp LaserPanel_web-1		

T:\Amstel skærm\dnp LaserPanel\_web-1.dwg

Measure without tolerance according DS/ISO 2768-m