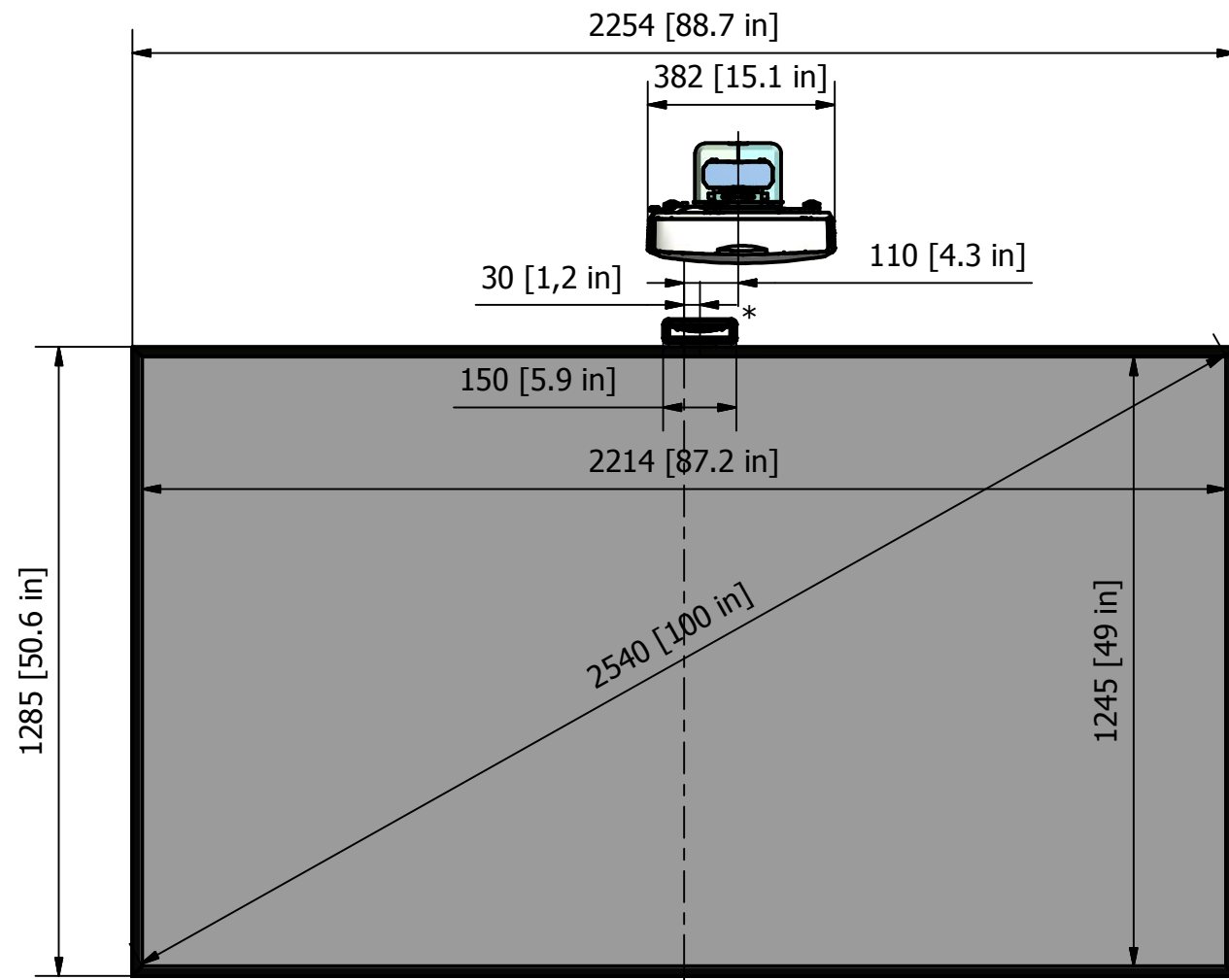
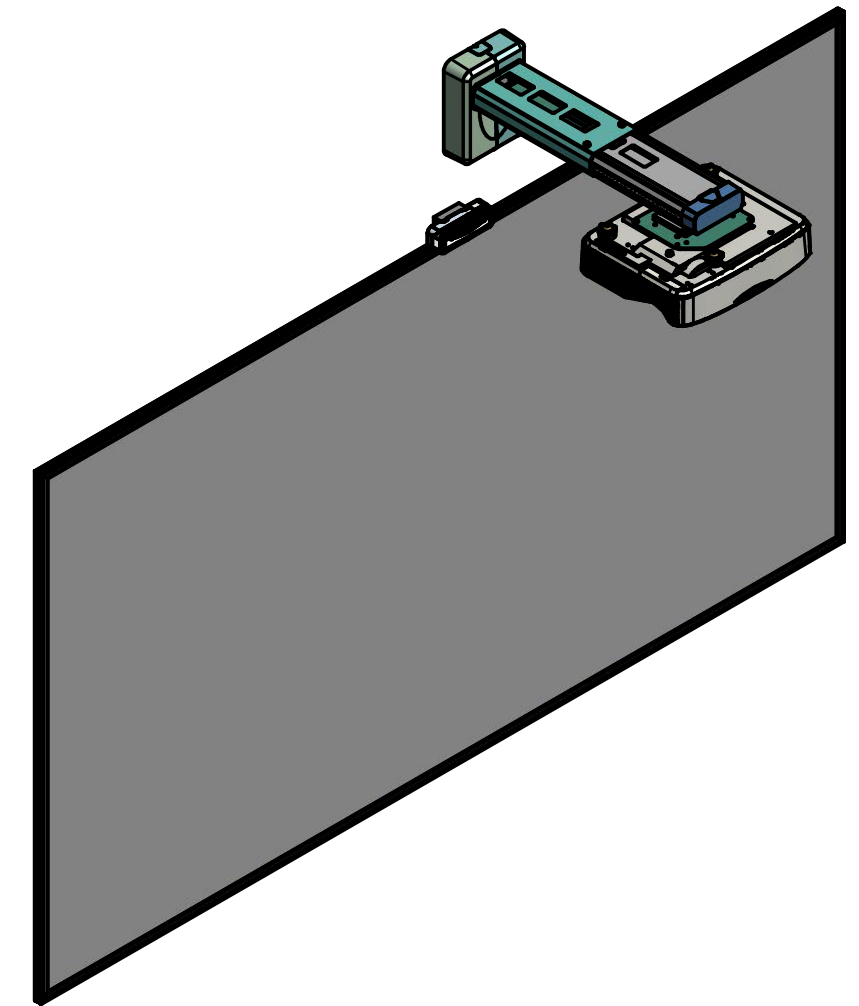
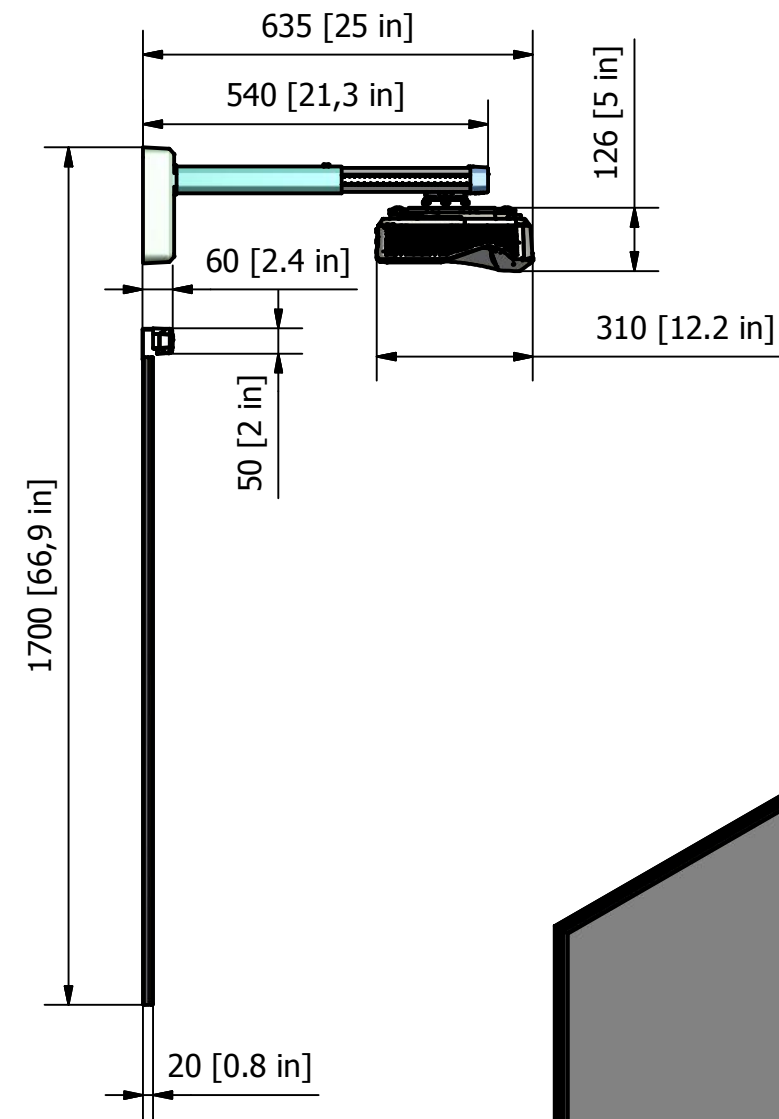



dnp LaserPanel Touch



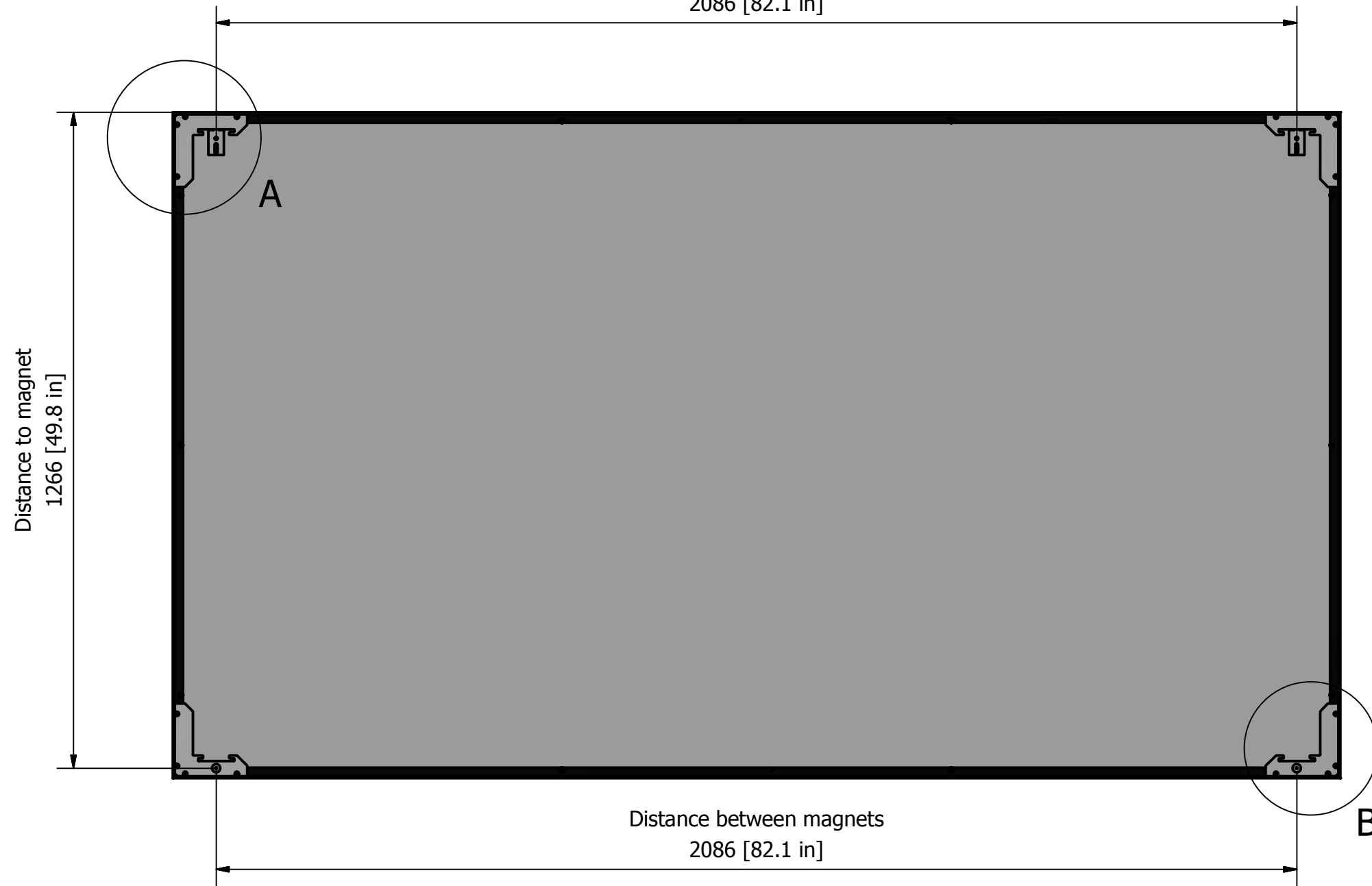
* Optional, Laser Curtain



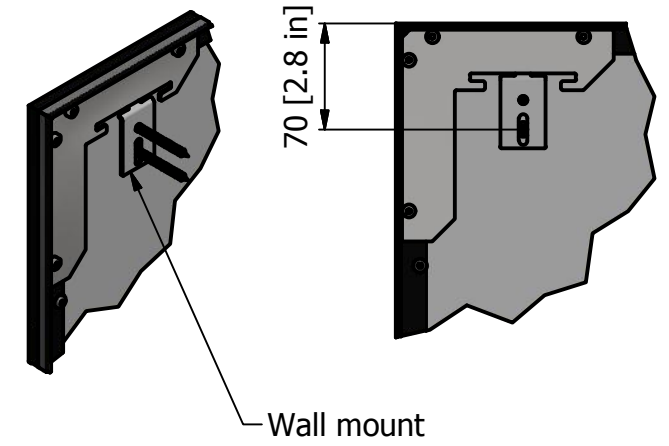
Order No.:		Customer:		
Total Weight: N/A		Material:		
 dnp denmark as Skruengang 2 DK-2690 Karlslunde Denmark Tel.: +45 46 16 51 00 Fax: +45 46 16 52 50 Website: www.dnp.dk	Scale	Date	Sign.	
	1:15	21-08-2015	sn	
Description: dnp LaserPanel Touch Front		Sheet: 1 of 2 Format: A3		
		Drawing No: dnp LaserPanel Touch		

dnp LaserPanel Touch

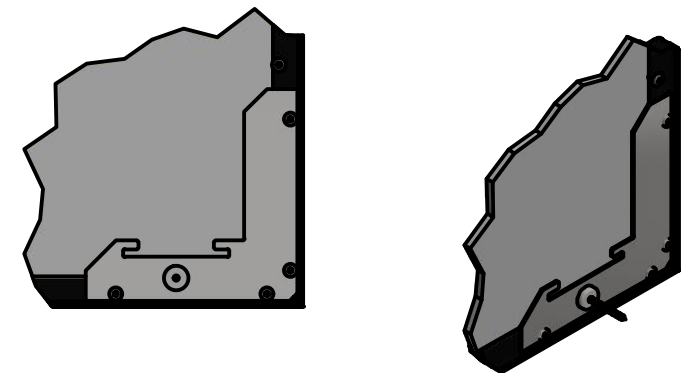
Distance between mounting screws
2086 [82.1 in]




A (1 : 5)



B (1 : 5)



Order No.:		Customer:		
Total Weight: N/A		Material:		
 dnp denmark as Skruengang 2 DK-2690 Karlslunde Denmark Tel.: +45 46 16 51 00 Fax: +45 46 16 52 50 Website: www.dnp.dk visual experience	Scale	Date	Sign.	
	1 : 10	21-08-2015	sn	
Description: dnp LaserPanel Touch Rear		Sheet: 2 of 2		Format: A3
		Drawing No: dnp LaserPanel Touch		