

Frames available in black aluminium, silver aluminium and black velvet

\* No black flock area on black velvet version

A-A

32 [1.3 in]

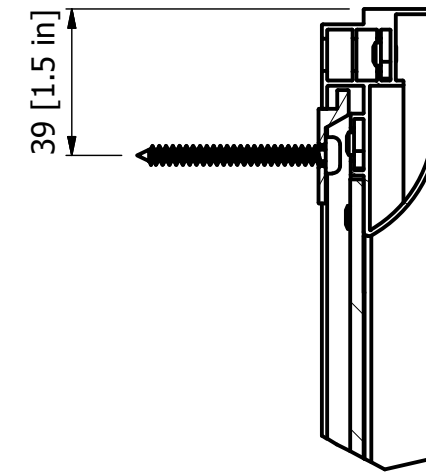


C

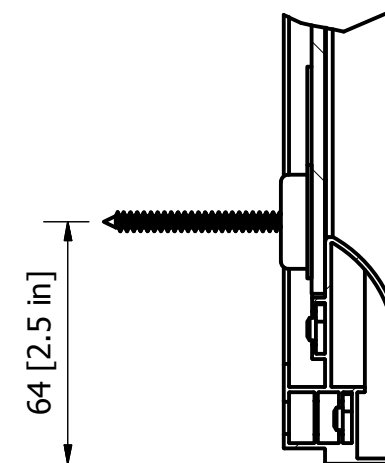


D

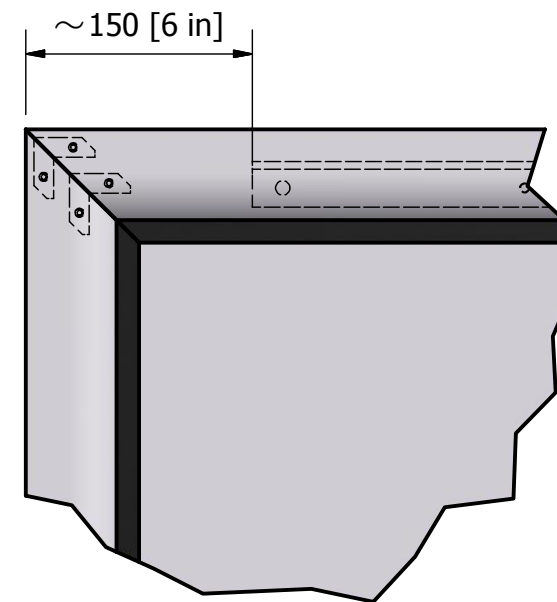
C ( 1:2 )




D ( 1:2 )



B ( 1 : 5 )



Measure without tolerance according DS/ISO 2768-m

Total Weight:N/A		Material:		
 dnp denmark as Skruegangen 2 DK-2690 Karlslunde Denmark Tel.: +45 46 16 51 00 Fax: +45 46 16 52 50 Website: www.dnp.dk	Scale	Date	Sign.	
		18-05-2009	sn	
Description: Supernova One 16:10		Sheet: 1 of 1	Format: A3	
		Drawing No: P04-0006_16_10		

Screen Specification 16:10 (1,60:1)			
Screen diagonal (inches) 16:10	IH (Image Height) mm [inch]	IW (Image Width) mm [inch]	Approx. weight Kg [Ibs]
84"	1131 [44,5]	1809 [71,2]	16 [34]
100"	1346 [53,0]	2154 [84,8]	21 [45]
110"	1481 [58,3]	2369 [93,3]	24 [53]