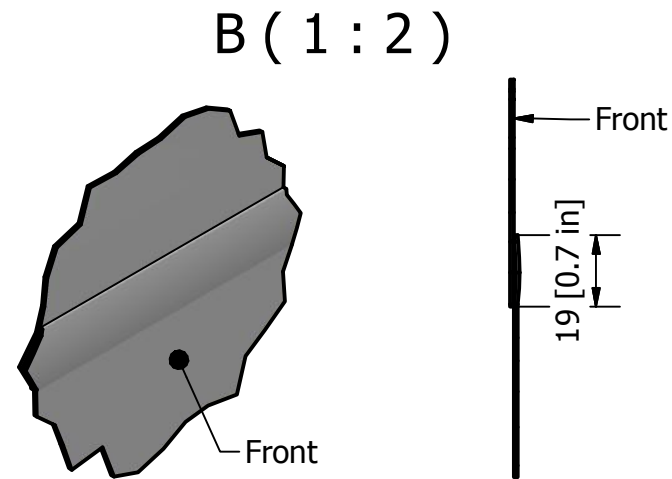
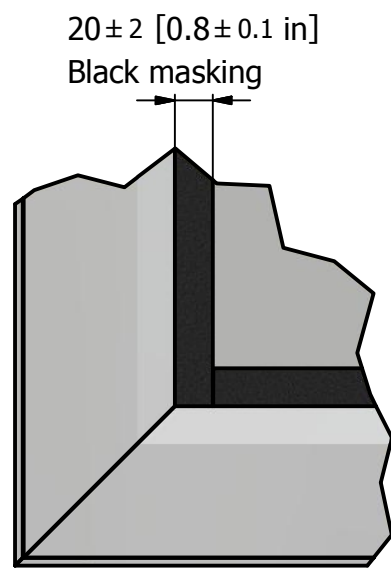
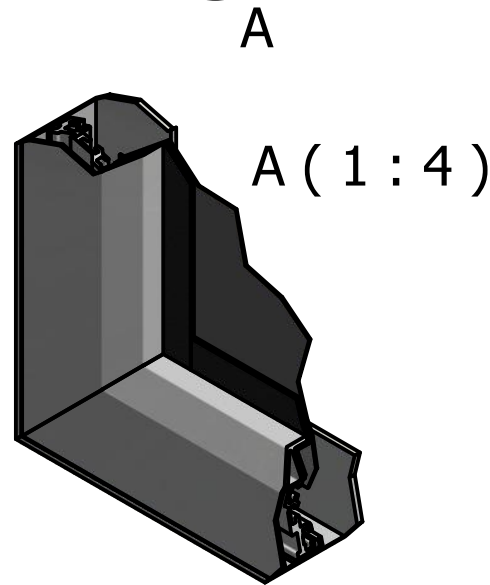
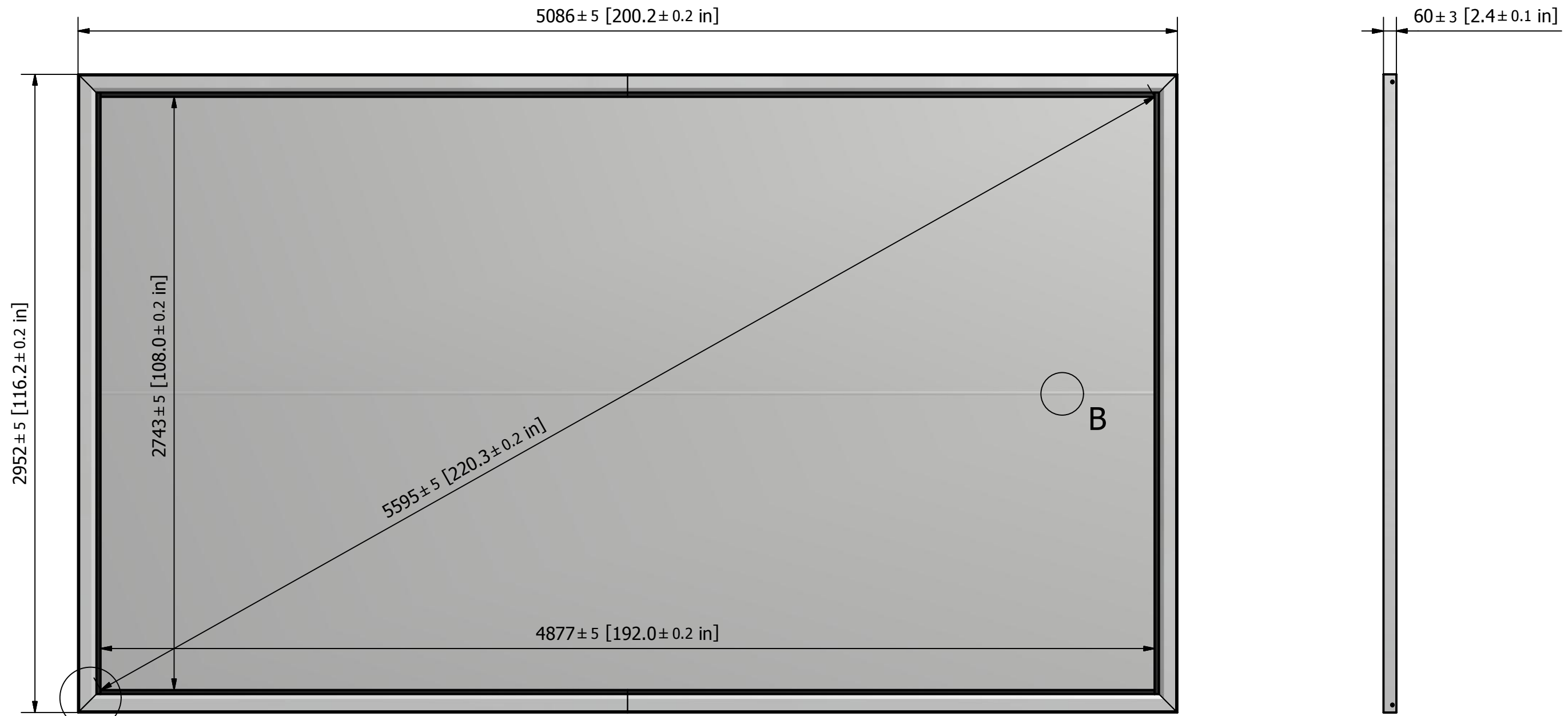



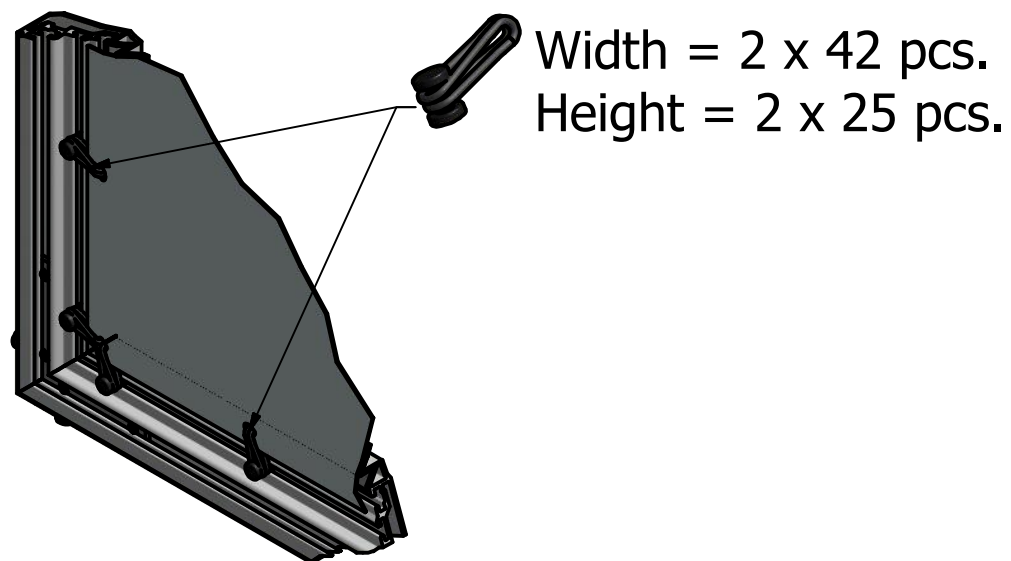
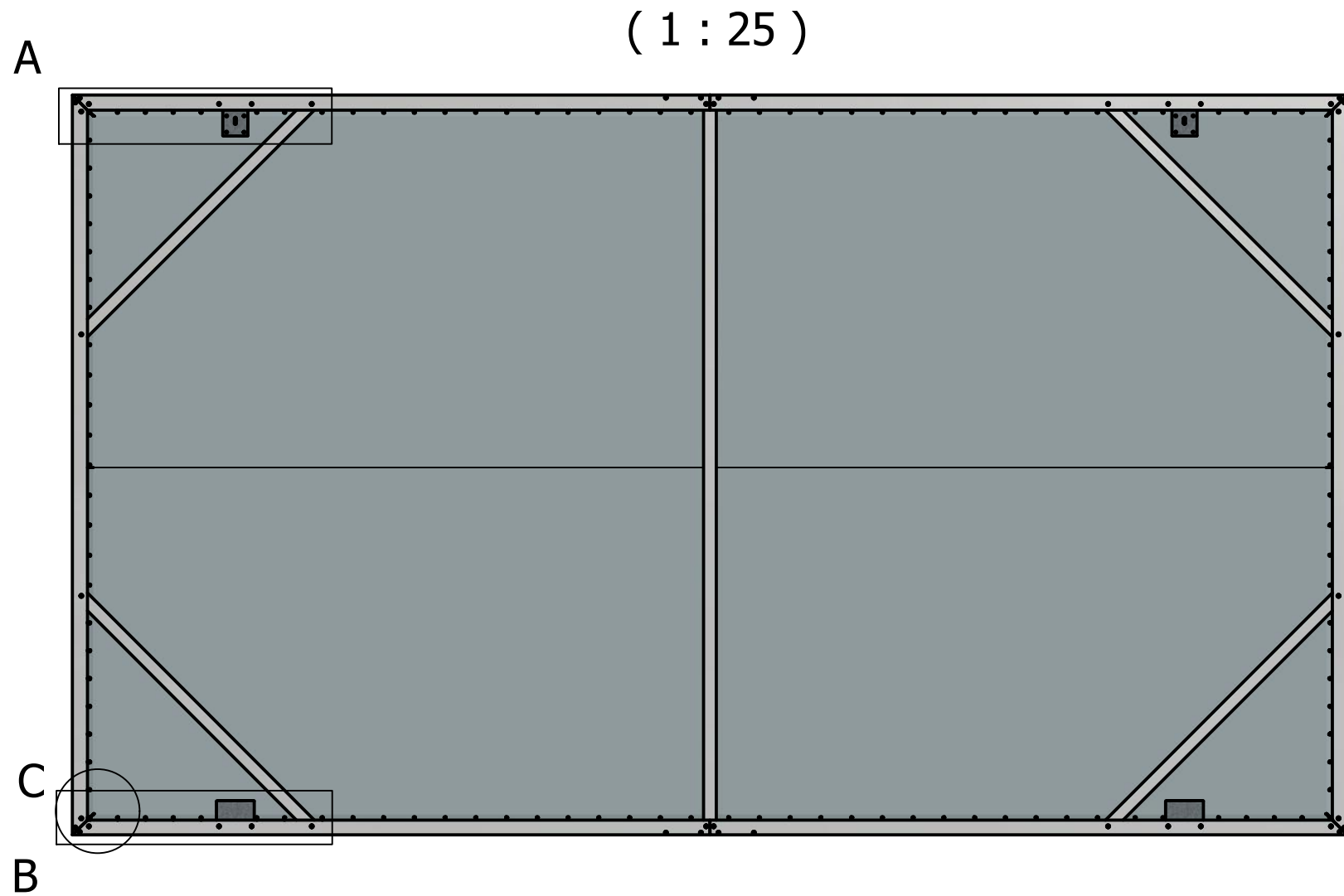
Supernova XL variants with 20mm inner masking frame



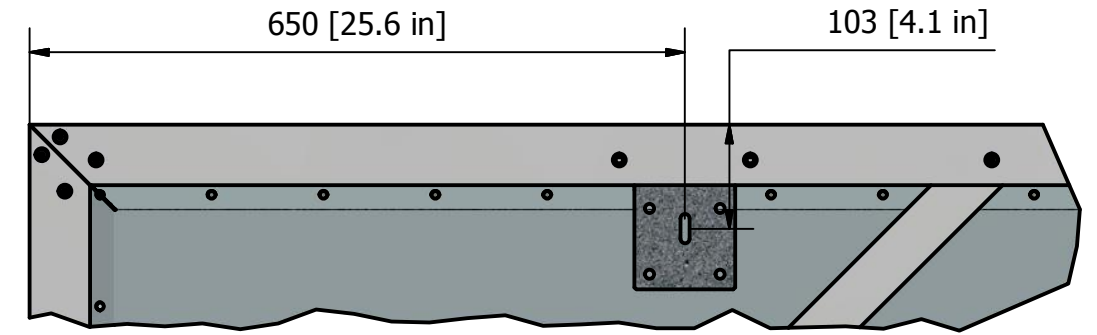
Order No.:		Customer:		
Total Weight: ~80 kg - 176 lbs		Material:		
 dnp denmark as Skruetangen 2 DK-2690 Karlslunde Denmark Tel.: +45 46 16 51 00 Fax: +45 46 16 52 50 Website: www.dnp.dk visual experience	Scale	Date	Sign.	
	1:20	16-03-2015	ga	
Description: Supernova XL 16ft x 9ft with inner masking frame - front		Sheet: 1 of 2 Format: A3		
		Drawing No: SNXL W192 16-9 mask.		

T:\(GA) Tegninger (Sync)\Div MASTER front\Master SNXL_ALL\Master SNXL_FC3_ALL SIZE\SNXL W192 16-9 mask.dwg
Measure without tolerance according DS/ISO 2768-m
Copyright dnp denmark as

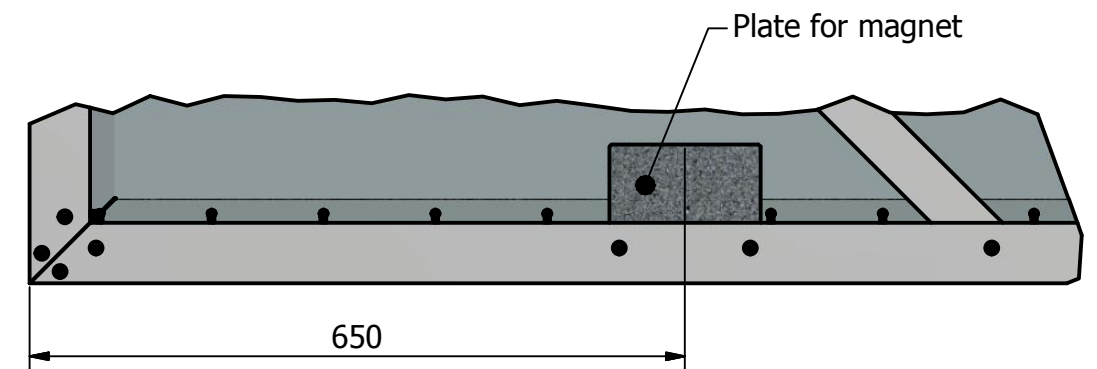
Supernova XL variants with 20mm inner masking frame




A (1 : 7,5)



B (1 : 7,5)



Order No.:		Customer:		
Total Weight:		Material:		
 dnp denmark as Skruengang 2 DK-2690 Karlslunde Denmark Tel.: +45 46 16 51 00 Fax: +45 46 16 52 50 Website: www.dnp.dk visual experience	Scale	Date	Sign.	
	1:20	16-03-2015	ga	
Description: Supernova XL 16ft x 9ft with inner masking frame - rear		Sheet: 2 of 2		Format: A3
		Drawing No: SNXL W192 16-9 mask.		

T:\(GA) Tegninger (Sync)\Dw MASTER front\Master SNXL_ALL\Master SNXL_FC3_ALL SIZE\SNXL W192 16-9 mask.dwg Measure without tolerance according DS/ISO 2768-m