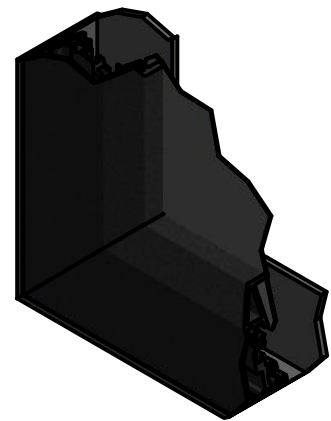
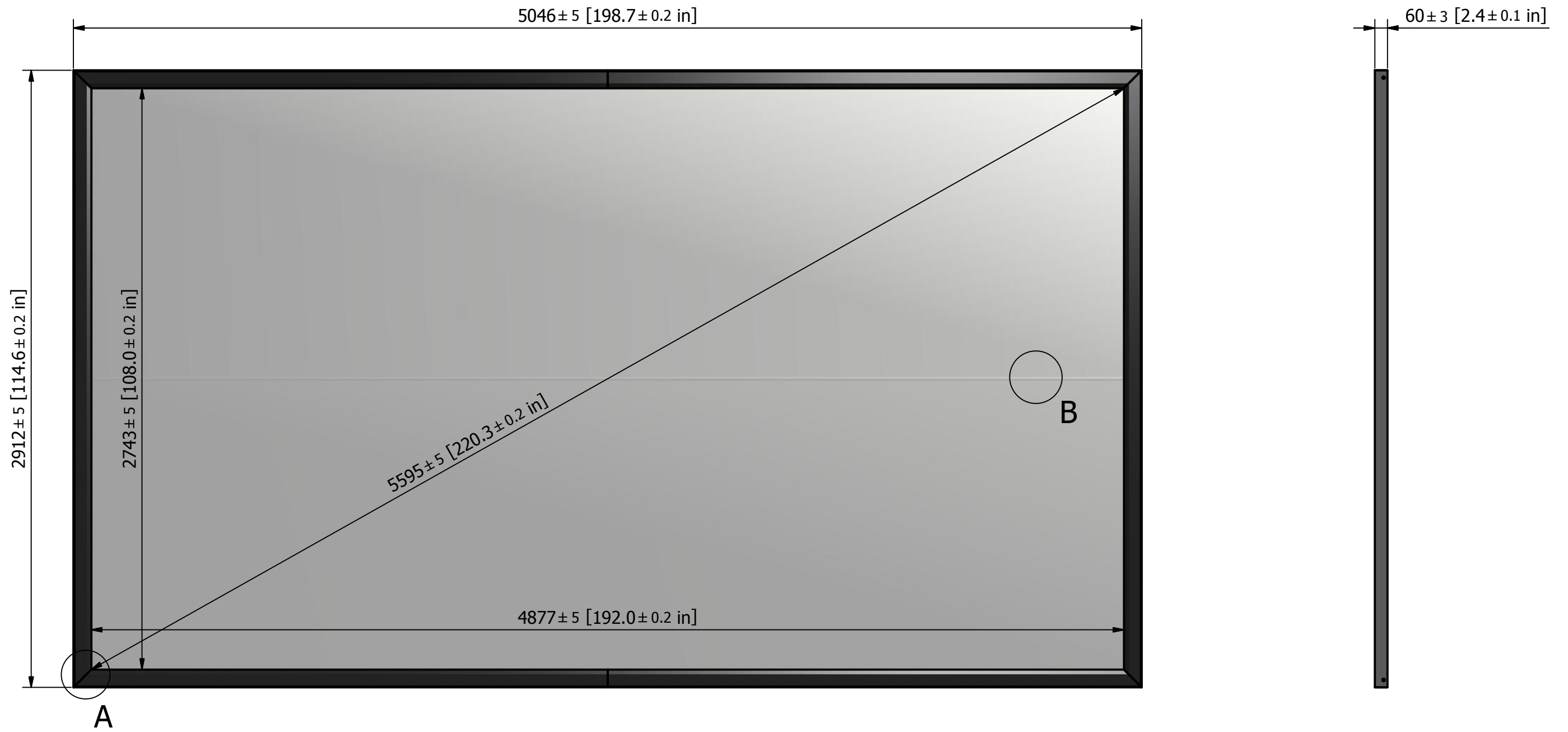
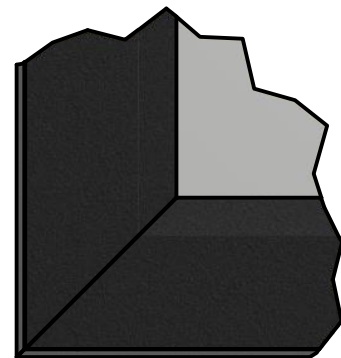


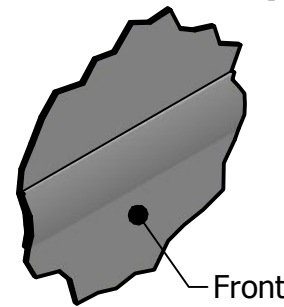
Supernova XL variants with standard frame



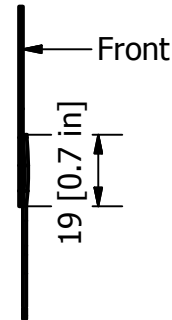
A (1 : 4)




B (1 : 2)



Front

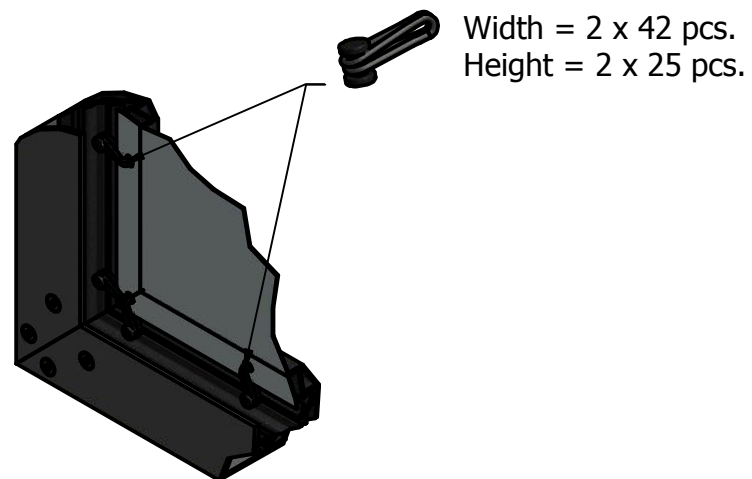
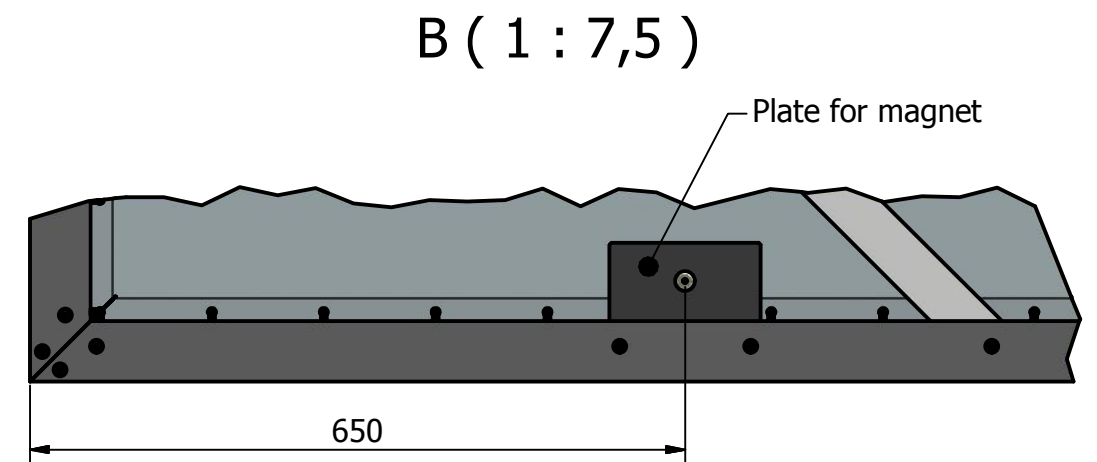
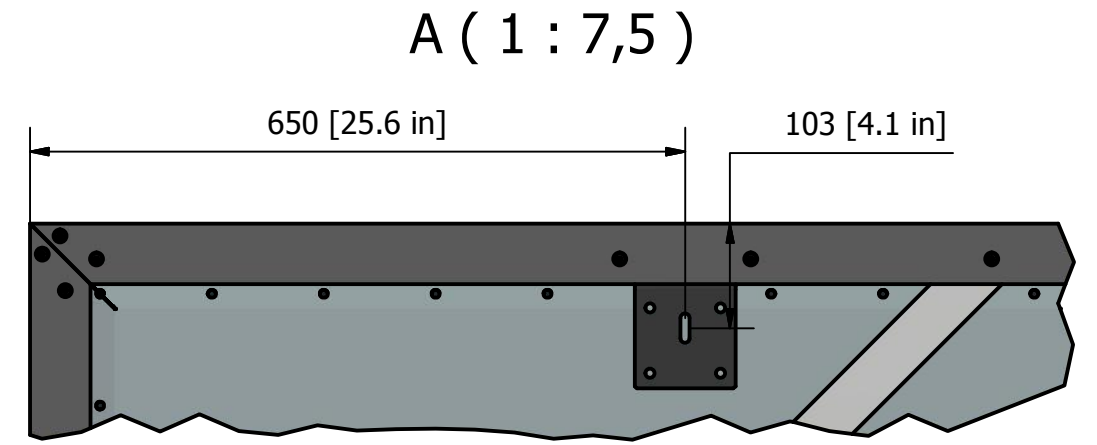
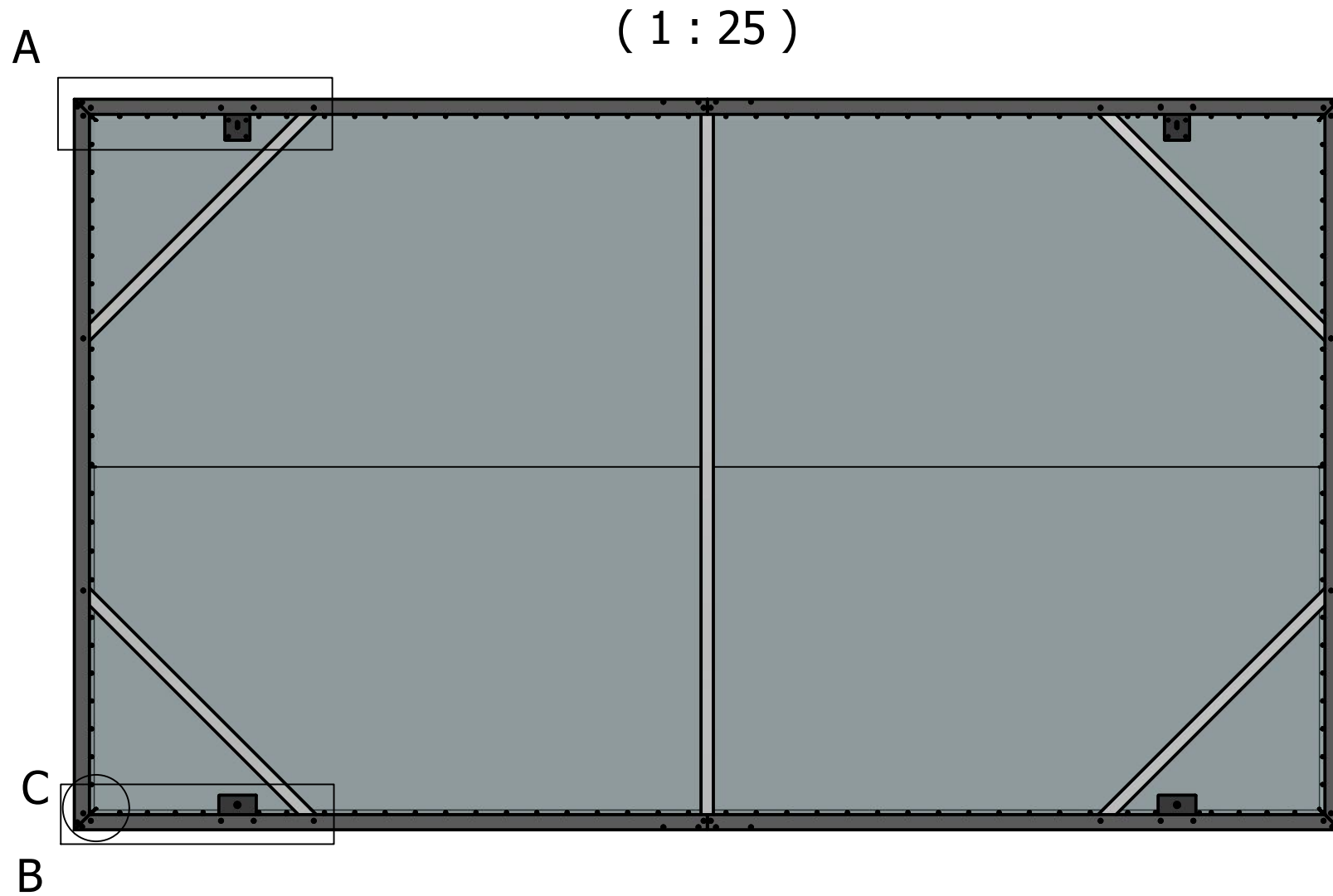



Front

Order No.:		Customer:		
Total Weight: 75 kg - 166 lbs.		Material:		
 dnp denmark as Skuegangen 2 DK-2690 Karlslunde Denmark Tel.: +45 46 16 51 00 Fax: +45 46 16 52 50 Website: www.dnp.dk	Scale	Date	Sign.	
	1:20	17-03-2015	ga	
Description: Supernova XL 16ft x 9ft with standard frame - front		Sheet: 1 of 2	Format: A3	
		Drawing No: SNXL W192in 16-9		

T:\(GA) Tegninger (Sync)\Dw MASTER front\Master SNXL_ALL\Master SNXL_ALL SIZE\SNXL W192in 16-9.dwg Measure without tolerance according DS/ISO 2768-m

Supernova XL variants with standard frame



Order No.:		Customer:		
Total Weight: 75 kg - 166 lbs.		Material:		
 dnp denmark as Skruengang 2 DK-2690 Karlslunde Denmark Tel.: +45 46 16 51 00 Fax: +45 46 16 52 50 Website: www.dnp.dk	Scale	Date	Sign.	
	1:20	17-03-2015	ga	
Description: Supernova XL 16ft x 9ft with standard frame - rear		Sheet: 2 of 2 Format: A3		
		Drawing No: SNXL W192in 16-9		

T:\(GA) Tegninger (Sync)\Div MASTER front\Master SNXL_ALL\Master SNXL_ALL SIZE\SNXL W192in 16-9.dwg Measure without tolerance according DS/ISO 2768-m