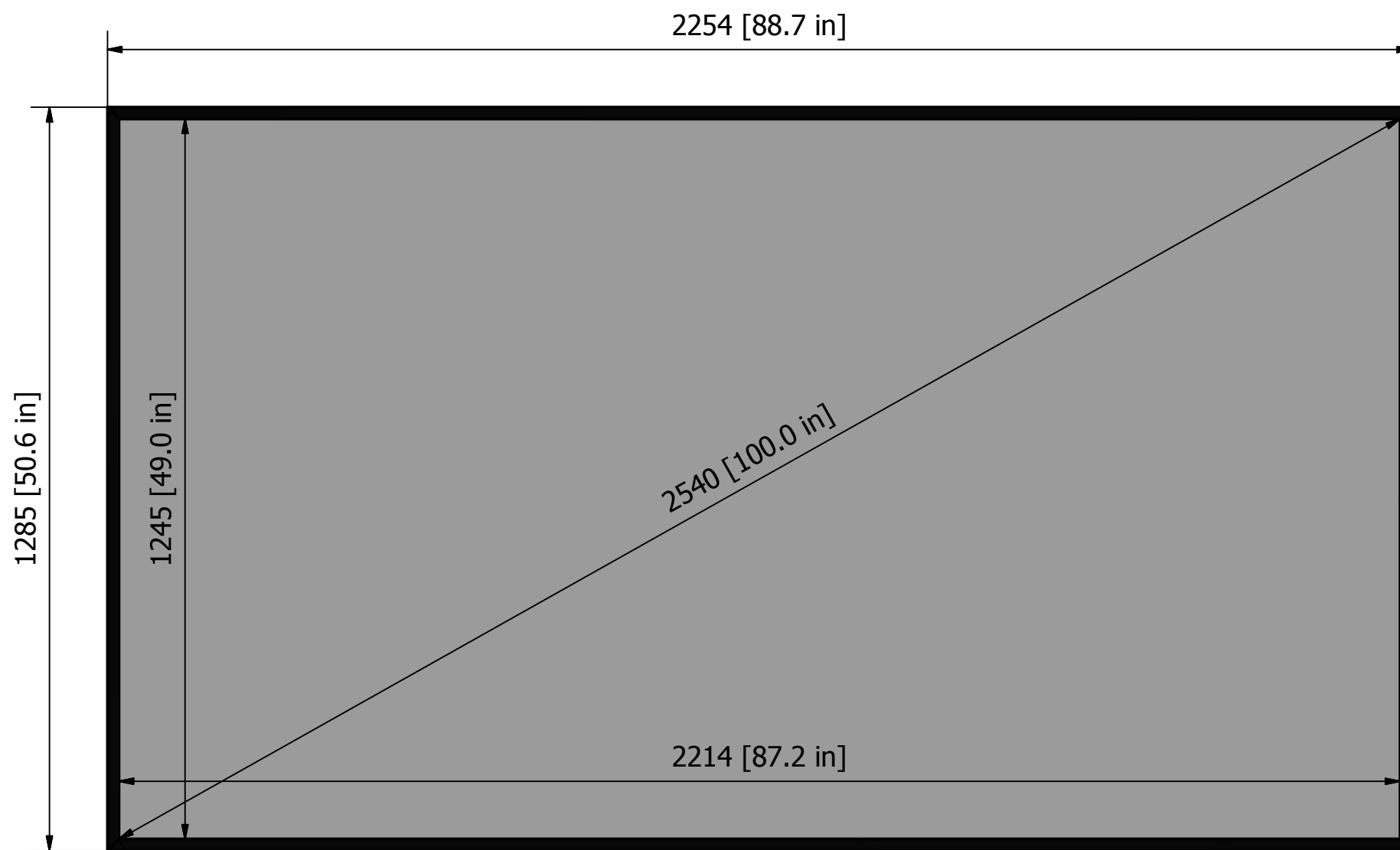



dnp Supernova STS



20 [.8 in]

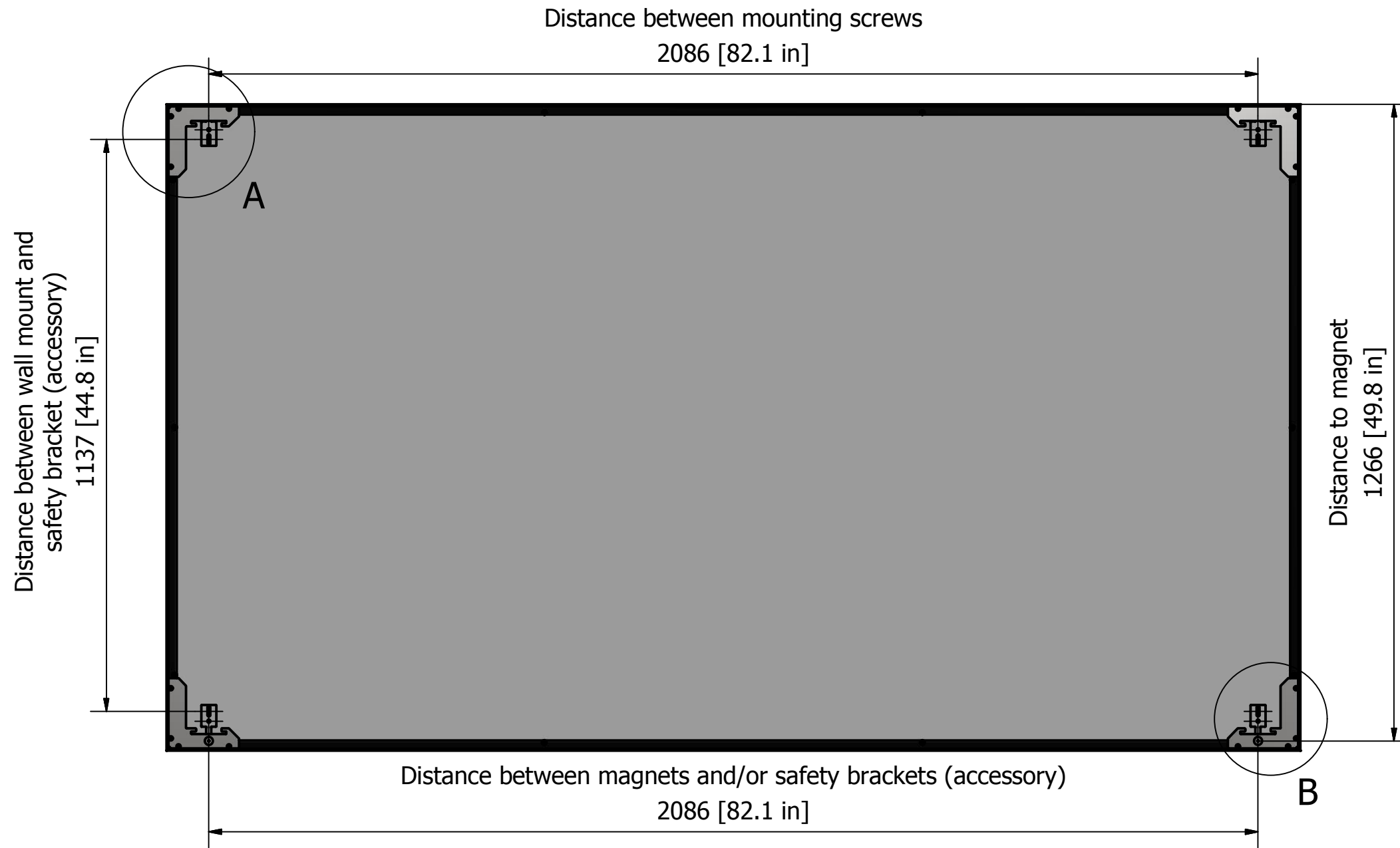


Order No.:		Customer:		
Total Weight: 21,8 kg		Material:		
 dnp denmark as Skruegangen 2 DK-2690 Karlslunde Denmark Tel.: +45 46 16 51 00 Fax: +45 46 16 52 50 Website: www.dnp.dk visual experience	Scale	Date	Sign.	
	1:10	28-01-2015	sn	
Description: Supernova STS 100" 16:9 Front		Sheet: 1 of 2	Format: A3	
		Drawing No: STS 100IN 16_9		

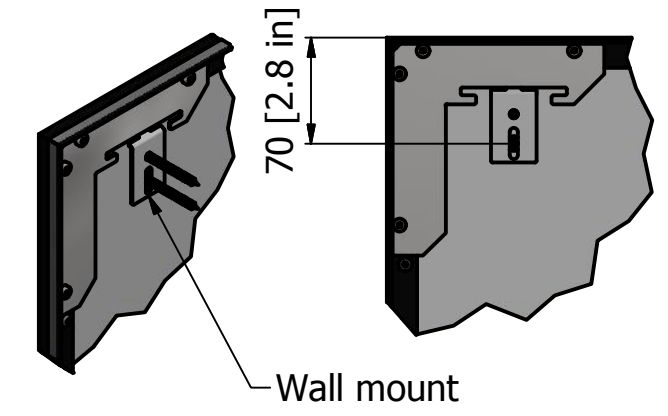
T:\Seren Inventor diverse\Tangtao\STS 100IN 16_9.dwg

Measure without tolerance according DS/ISO 2768-m

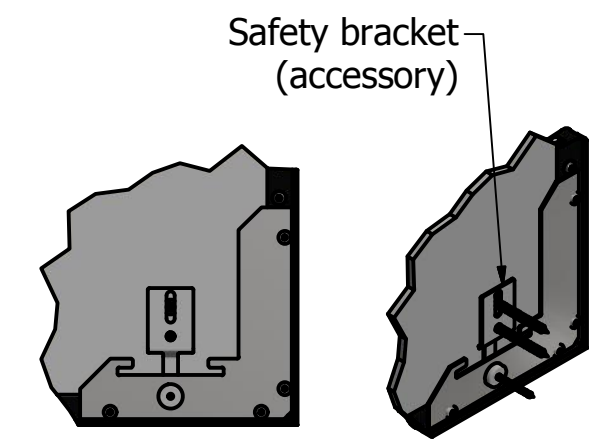
dnp Supernova STS




A (1 : 5)



B (1 : 5)



Order No.:		Customer:		
Total Weight: 21,8 kg		Material:		
 dnp denmark as Skruengang 2 DK-2690 Karlslunde Denmark Tel.: +45 46 16 51 00 Fax: +45 46 16 52 50 Website: www.dnp.dk visual experience	Scale	Date	Sign.	
	1:10	28-01-2015	sn	
Description: Supernova STS 100" 16:9 Rear		Sheet: 2 of 2 Format: A3		
		Drawing No: STS 100IN 16_9		