


20mm [0.8in] Black Velvet inner masking frame on 'Silver Alu' and 'White Sand' frame options

Screen Specification 16:10 (1.60:1)

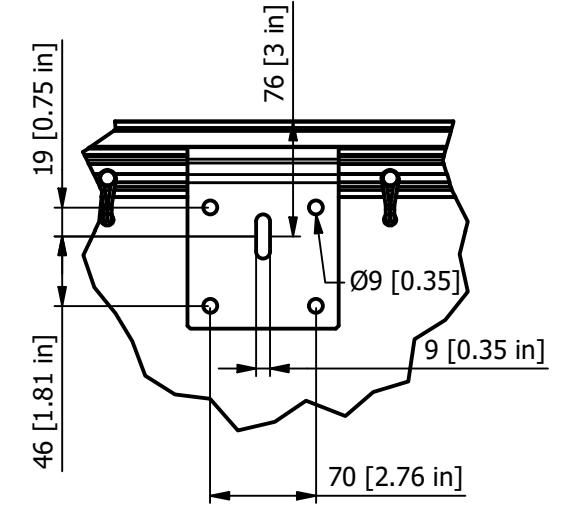
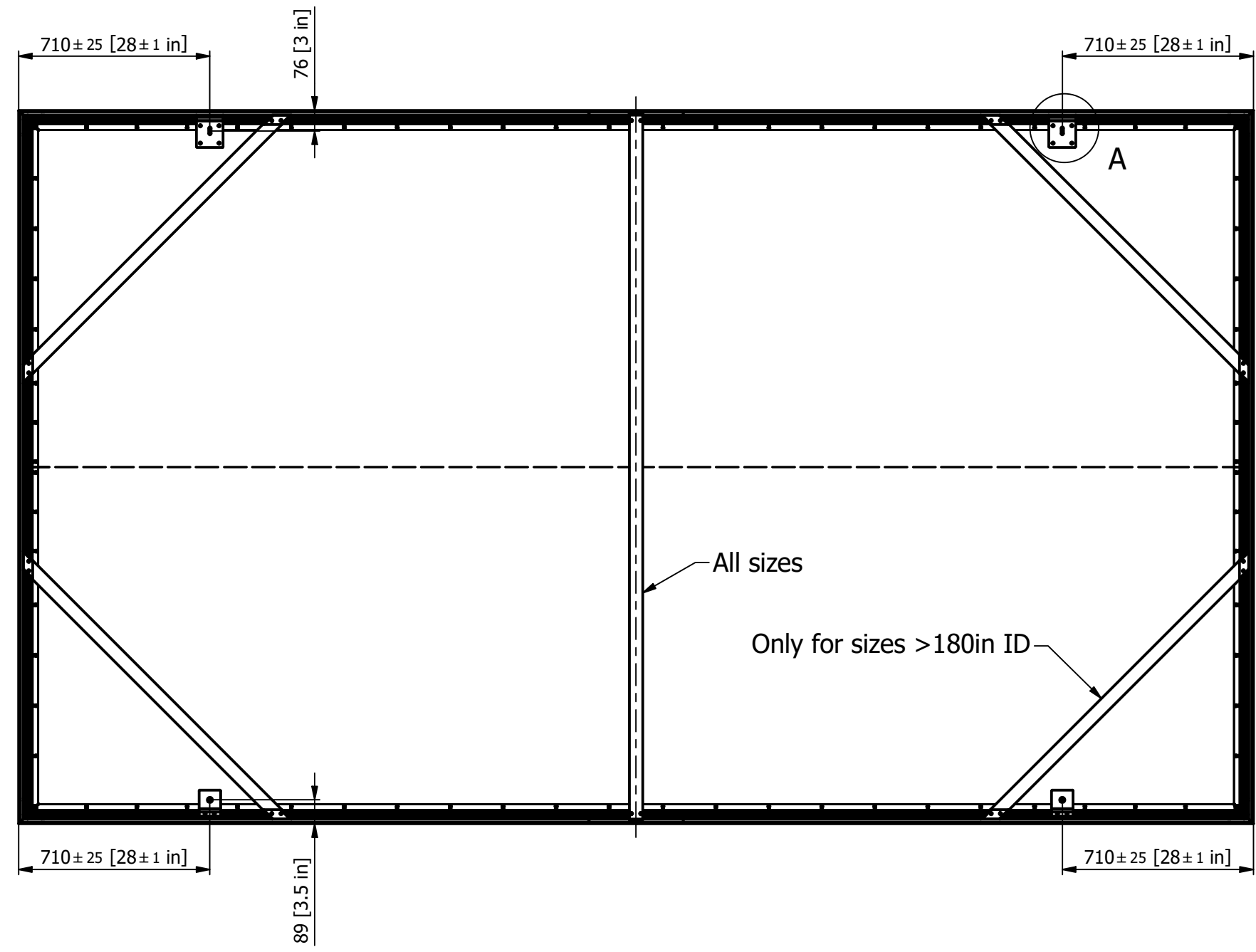
ID mm [in]	IW mm [in]	IH mm [in]	Weight kg [lbs]
4064 [160]	3446 [135.7]	2154 [84.8]	~32 - [71]
4572 [180]	3877 [152.6]	2423 [95.4]	~37 - [82]
5080 [200]	4308 [169.6]	2692 [106.0]	~47 - [104]
5588 [220]	4739 [186.6]	2962 [116.6]	~52 - [115]


Screen Specification 16:9 (1.78:1)

ID mm [in]	IW mm [in]	IH mm [in]	Weight kg [lbs]
4064 [160]	3542 [139.5]	1992 [78.4]	~35 - [77]
4572 [180]	3985 [156.9]	2241 [88.2]	~42 - [93]
5080 [200]	4428 [174.3]	2491 [98.1]	~46 - [101]
5588 [220]	4870 [191.7]	2740 [107.9]	~51 - [112]
5842 [230]	5092 [200.5]	2864 [112.8]	~54 - [119]

 dnp denmark as Skruegangen 2 DK-2690 Karlslunde Denmark Tel.: +45 46 16 51 00 Website: www.dnp-screens.com	Scale:	Date:	Sign.:
	N/A	28/11/2019	GA
Description: dnp Supernova XL Planning guide	Sheet: 1 of 2	Format: A3	
	Drawing No: SNXL standard sizes		

A (1 : 5)



 dnp denmark as Skruergangen 2 DK-2690 Karlslunde Denmark Tel.: +45 46 16 51 00 Website: www.dnp-screens.com	Scale:	Date:	Sign.:
	N/A	28/11/2019	GA
Description: dnp Supernova XL Planning guide	Sheet: 2 of 2	Format: A3	
	Drawing No: SNXL standard sizes		