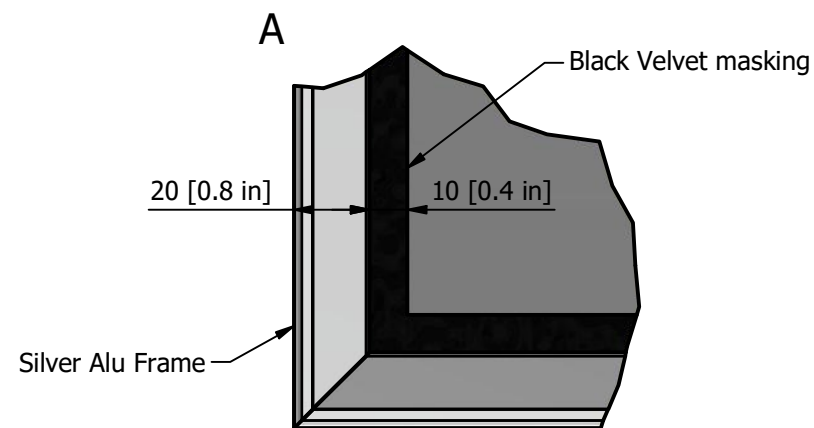



Weight: 23 kg - 50 lbs



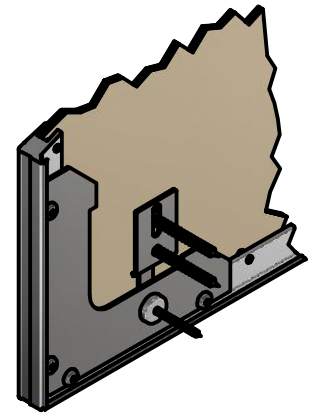
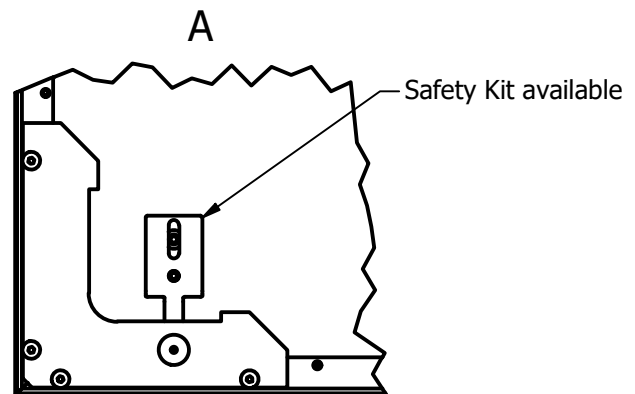
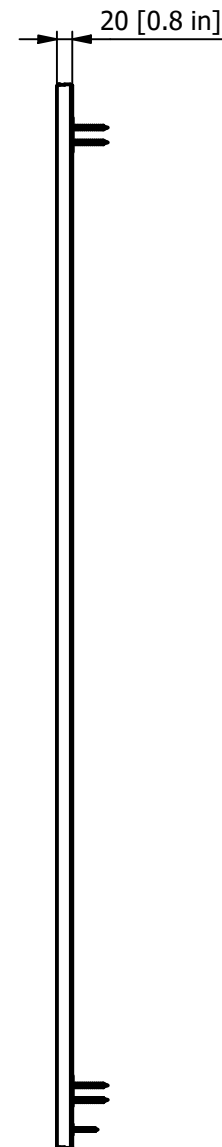
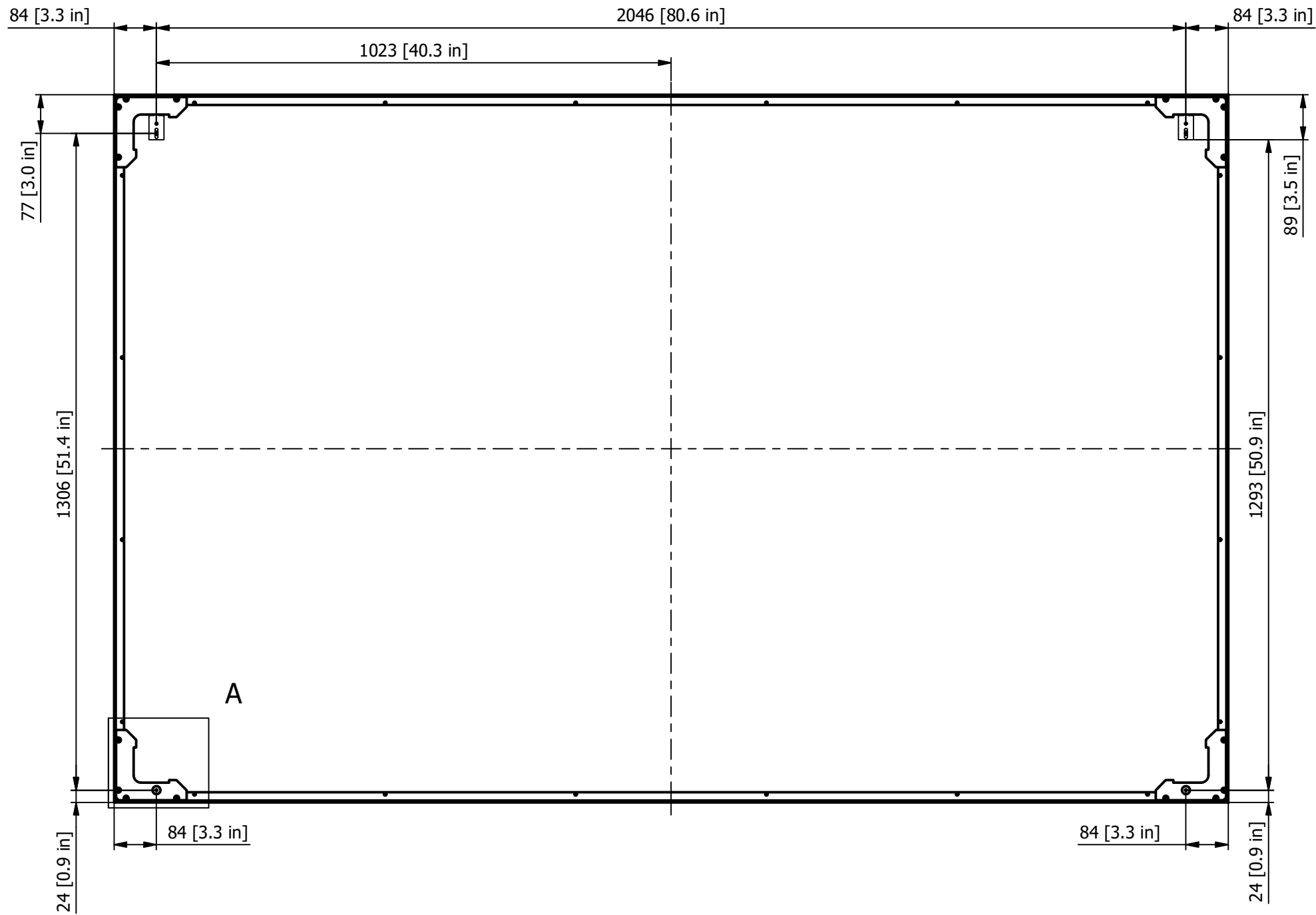
Available with SN 08-85 or SN 23-23 screen material


End user/project:				
Order No.:		Customer:		
dnp no.	Rev/Date/int: 00 / 24.03.2020 / GA	Supplier:		
 dnp denmark as Skruengangen 2 DK-2690 Karlslunde Denmark Tel.: +45 46 16 51 00 Website: www.dnp-screens.com	Scale:	Date:	Sign.:	
		24/03/2020	GA	
Description: SNO 100in 16:10 - Silver Alu Layout		Sheet: 1 of 2	Format: A3	
		Drawing No: 511 MM 100 321_SNO		

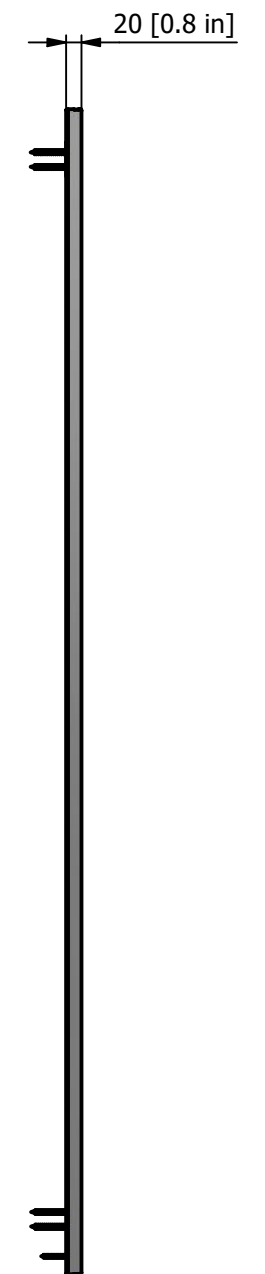
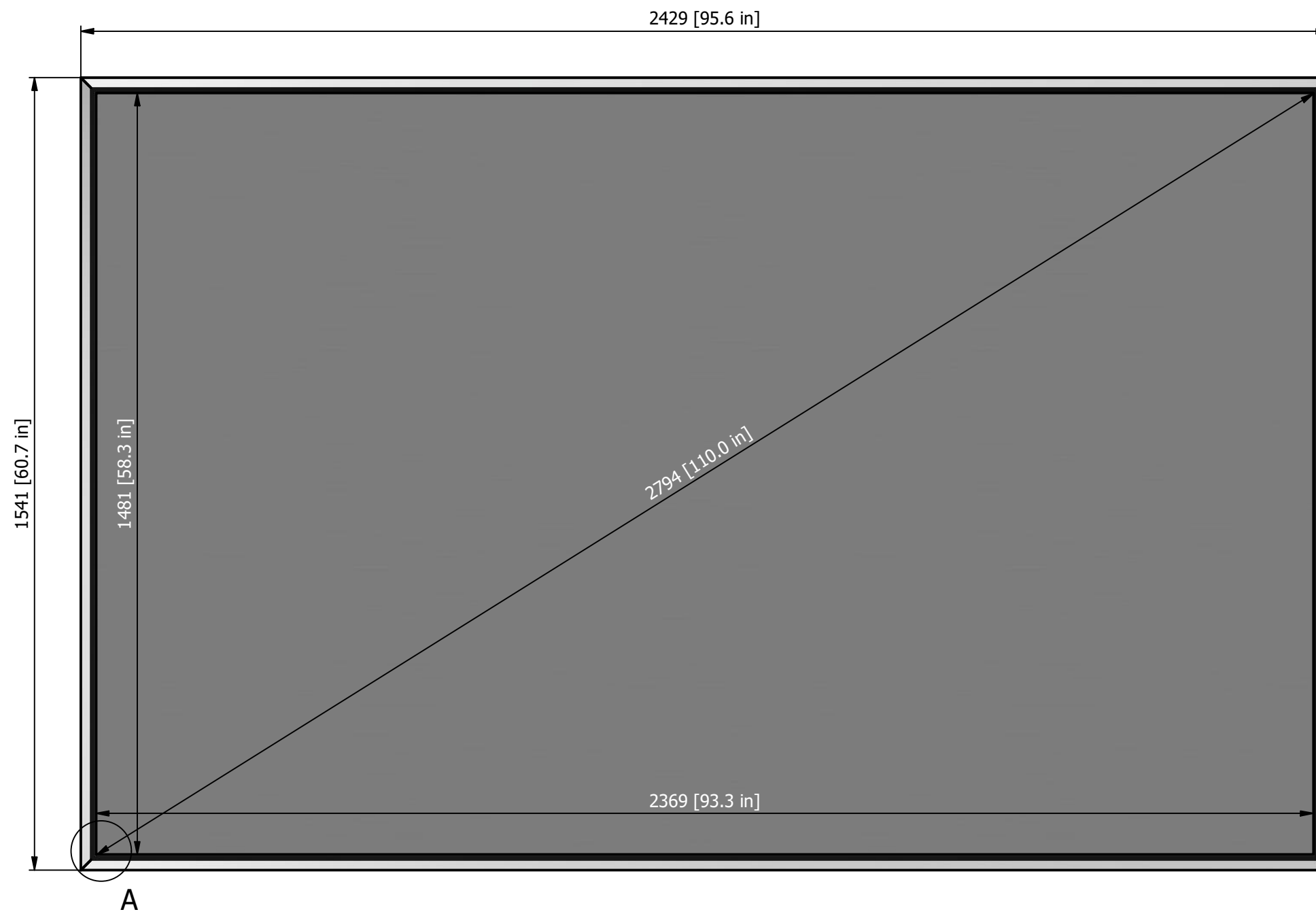
D:\P (GA) Tegninger (Sync)_221118\Div Produkter\SNO_One_Med STS-SNO Frame\SNO 100in 1.60 sai\511 MM 100 321_SNO.dwg

Measure without tolerance according DS/ISO 2768-m

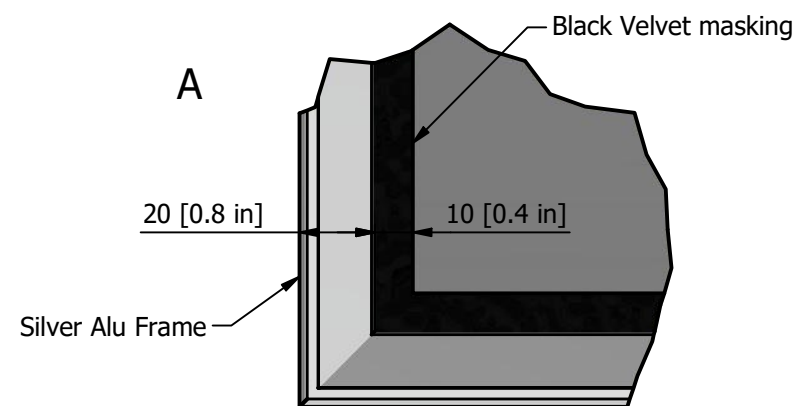
Copyright dnp denmark as




End user/project:				
Order No.:		Customer:		
dnp no.	Rev/Date/int: 00 / 24.03.2020 / GA	Supplier:		
 dnp denmark as Skruergangen 2 DK-2690 Karlslunde Denmark Tel.: +45 46 16 51 00 Website: www.dnp-screens.com	Scale:	Date:	Sign.:	
		24/03/2020	GA	
Description: SNO 100in 16:10 - Silver Alu Backside view		Sheet: 2 of 2	Format: A3	
		Drawing No: 511 MM 100 321_SNO		
<small>D:\# (GA) Tegninger (Sync)_221118\Div Produkter\SNO ONE_Med STS-SNO Frame\SNO 100in 1.60 sai\511 MM 100 321_SNO.idw</small>				



Weight: 27 kg - 60 lbs



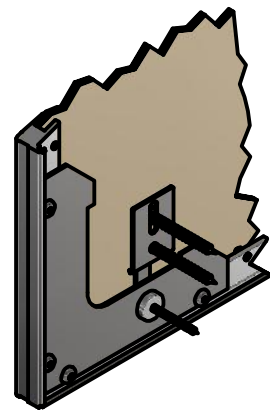
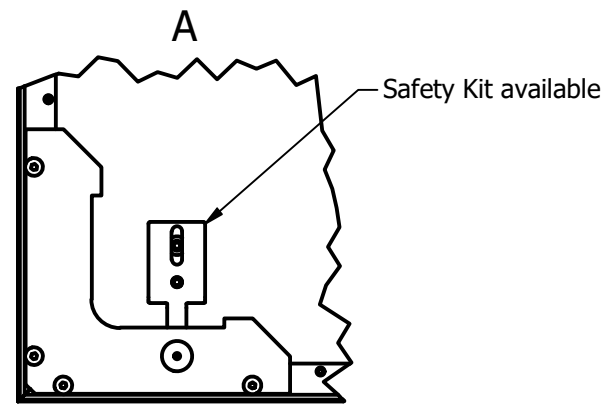
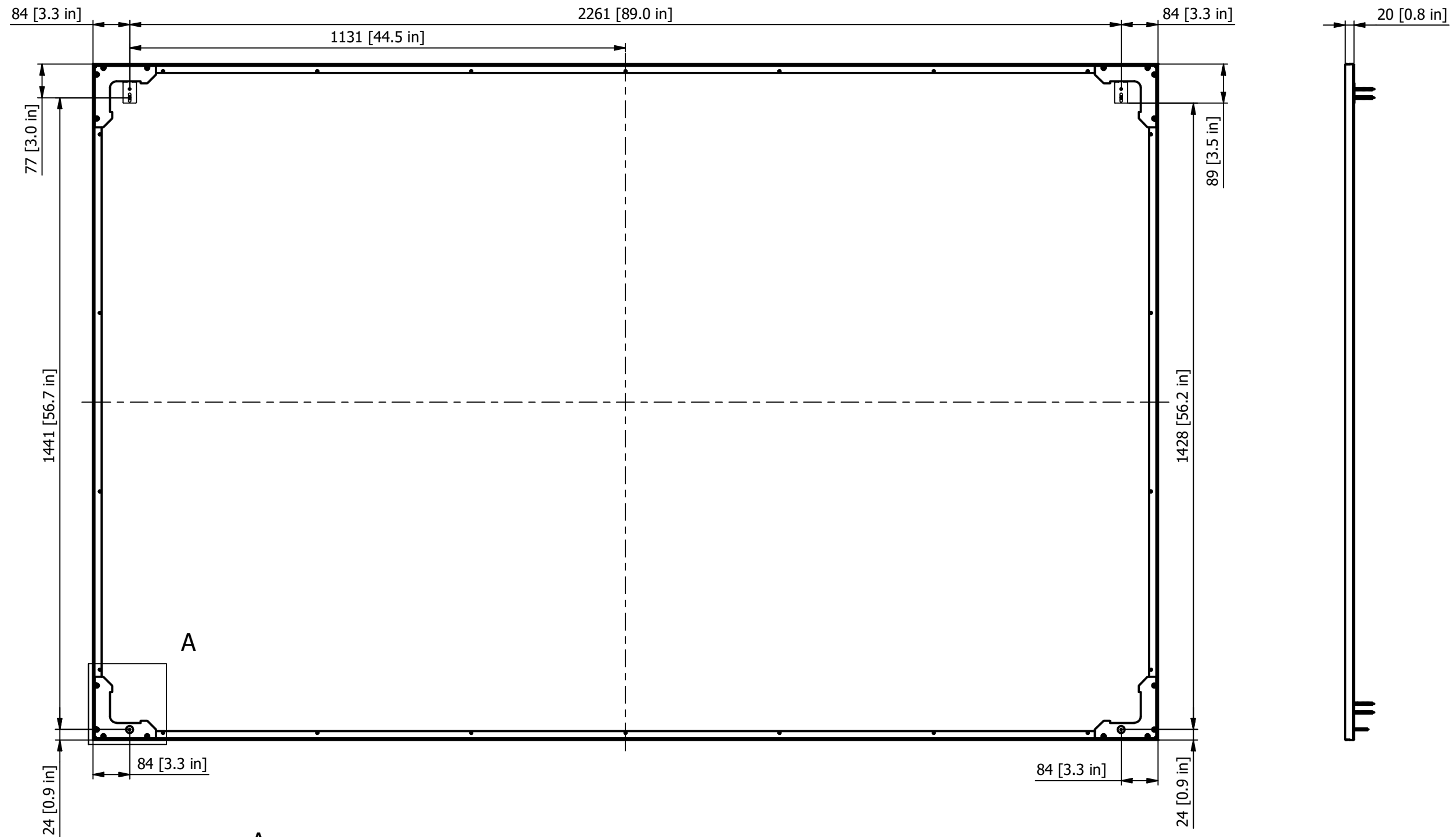
Available with SN 08-85 or SN 23-23 screen material


End user/project:				
Order No.:		Customer:		
dnp no.	Rev/Date/int: 00 / 24.03.2020 / GA	Supplier:		
 dnp denmark as Skruegangen 2 DK-2690 Karlslunde Denmark Tel.: +45 46 16 51 00 Website: www.dnp-screens.com	Scale:	Date:	Sign.:	
		24/03/2020	GA	
Description: SNO 110in 16:10 - Silver Alu Layout		Sheet: 1 of 2	Format: A3	
		Drawing No: 511 MM 110 321_SNO		

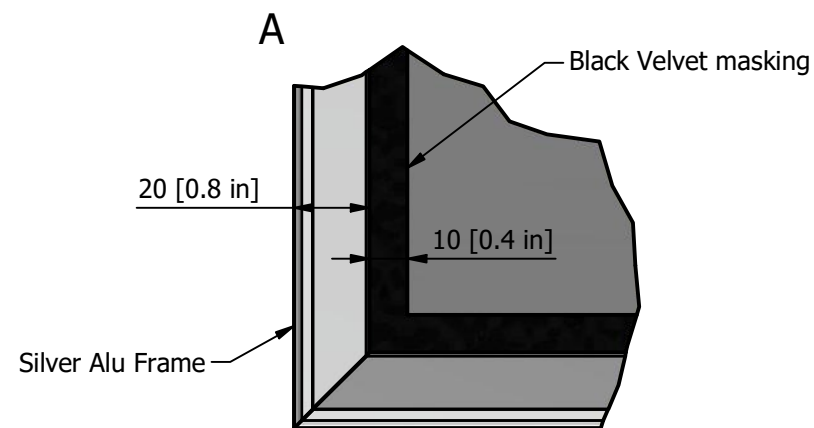
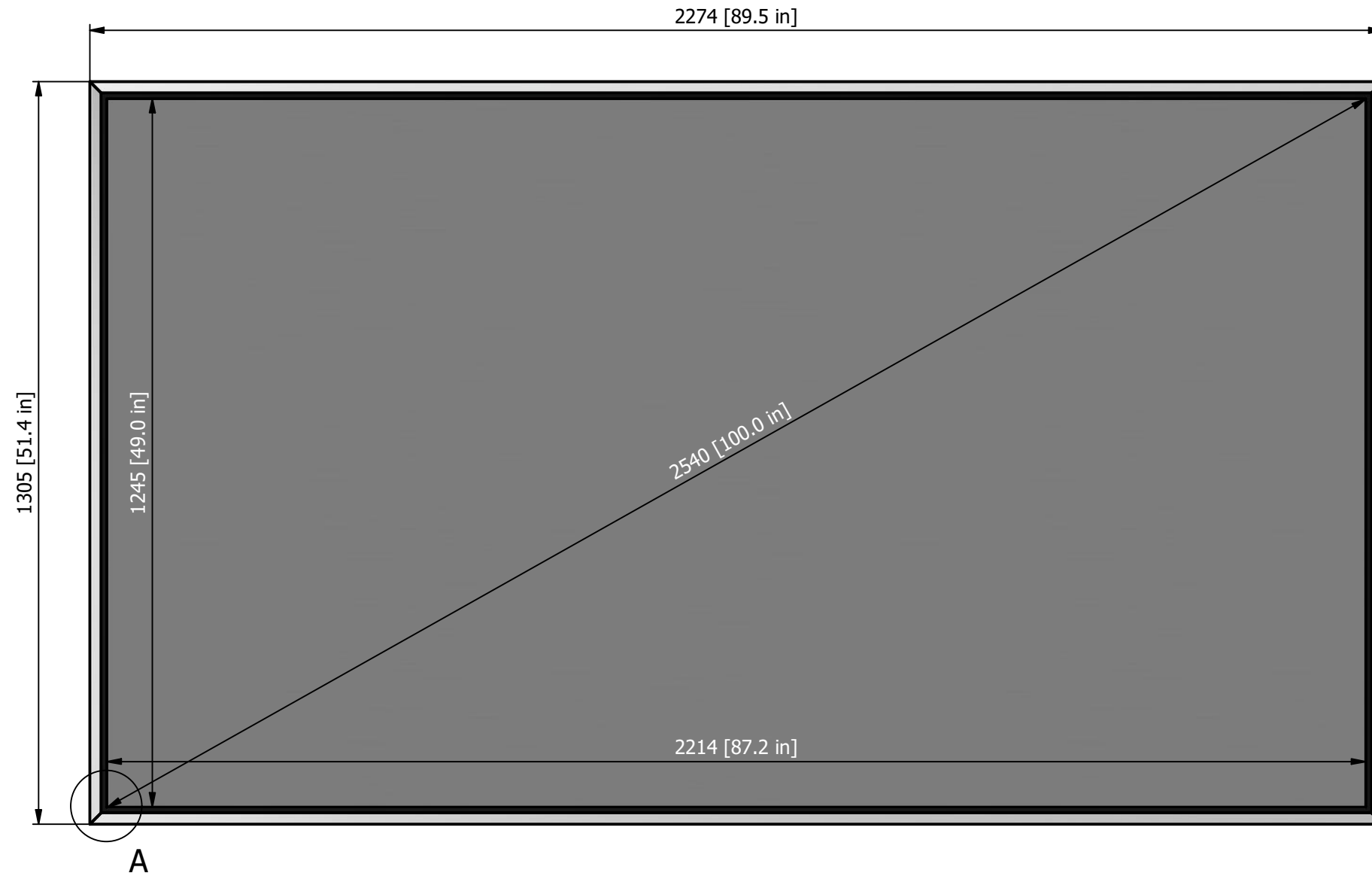
D:\P (GA) Tegninger (Sync)_221118\Div Produkter\SN ONE_Med STS-SNO Frame\SN 110in 1.60 sai\511 MM 110 321_SNO.idw

Measure without tolerance according DS/ISO 2768-m


Copyright dnp denmark as



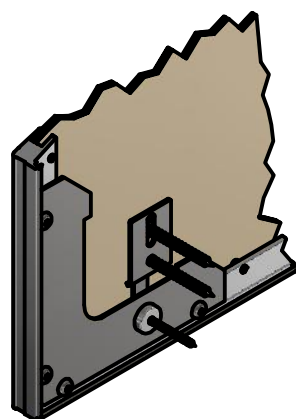
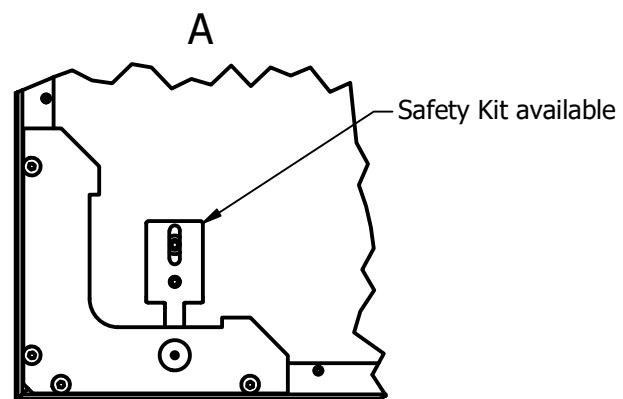
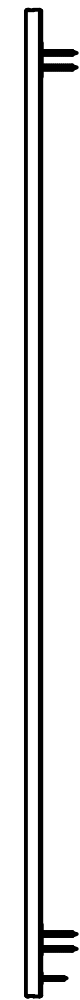
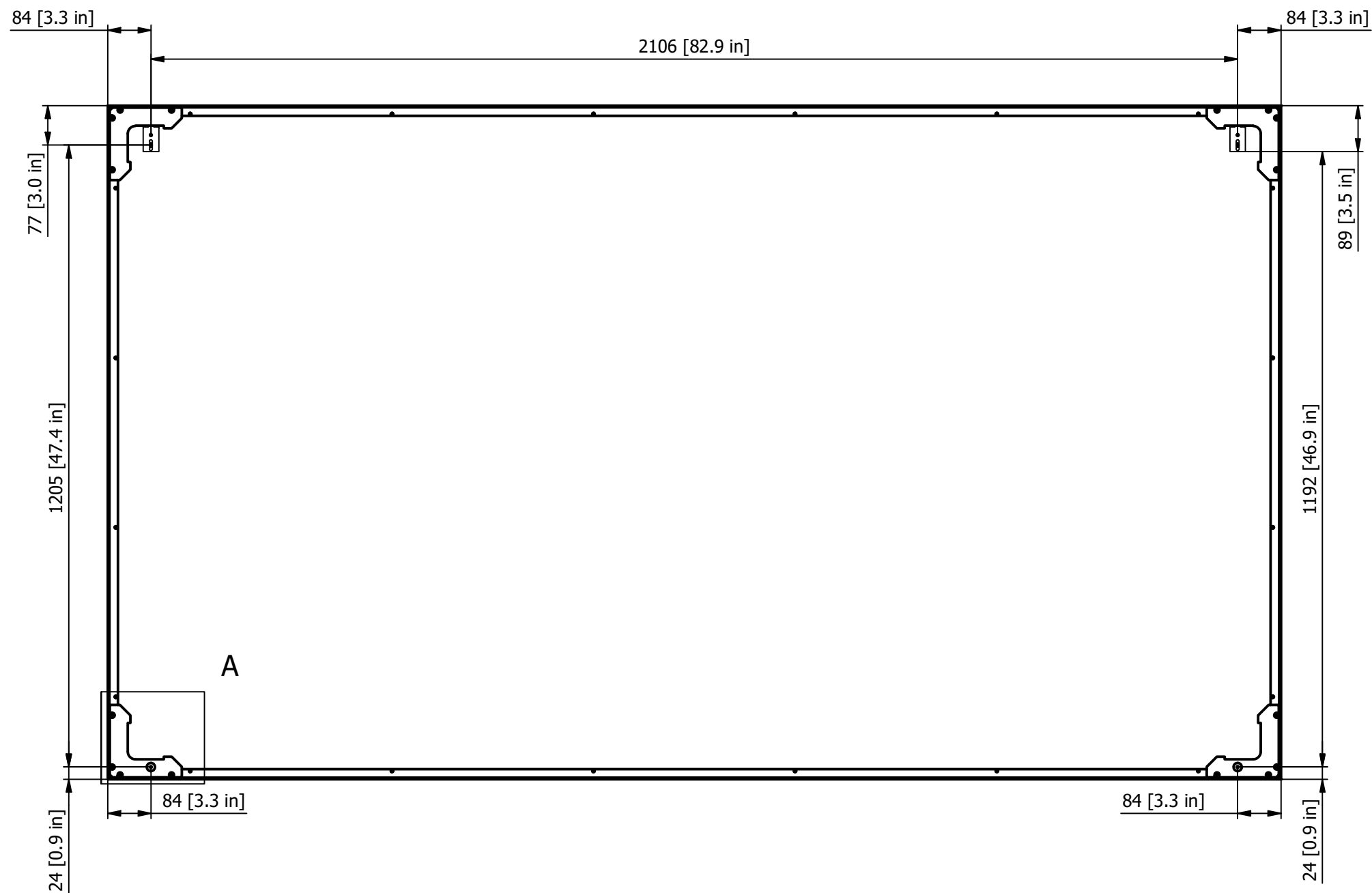
End user/project:				
Order No.:		Customer:		
dnp no.	Rev/Date/int: 00 / 24.03.2020 / GA	Supplier:		
 dnp denmark as Skruegangen 2 DK-2690 Karlslunde Denmark Tel.: +45 46 16 51 00 Website: www.dnp-screens.com	Scale:	Date:	Sign.:	
		24/03/2020	GA	
Description: SNO 110in 16:10 - Silver Alu Backside view		Sheet: 2 of 2	Format: A3	
		Drawing No: 511 MM 110 321_SNO		




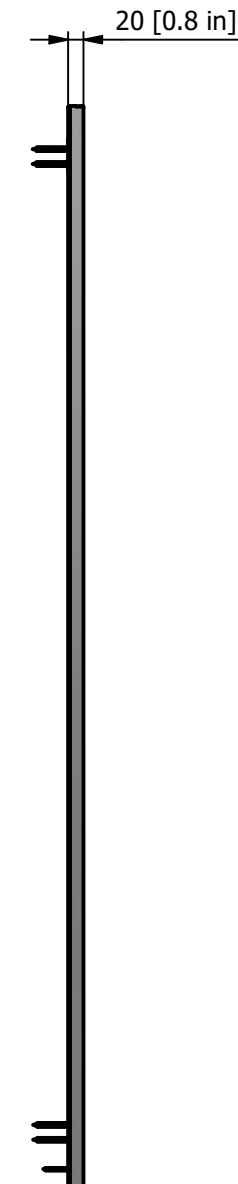
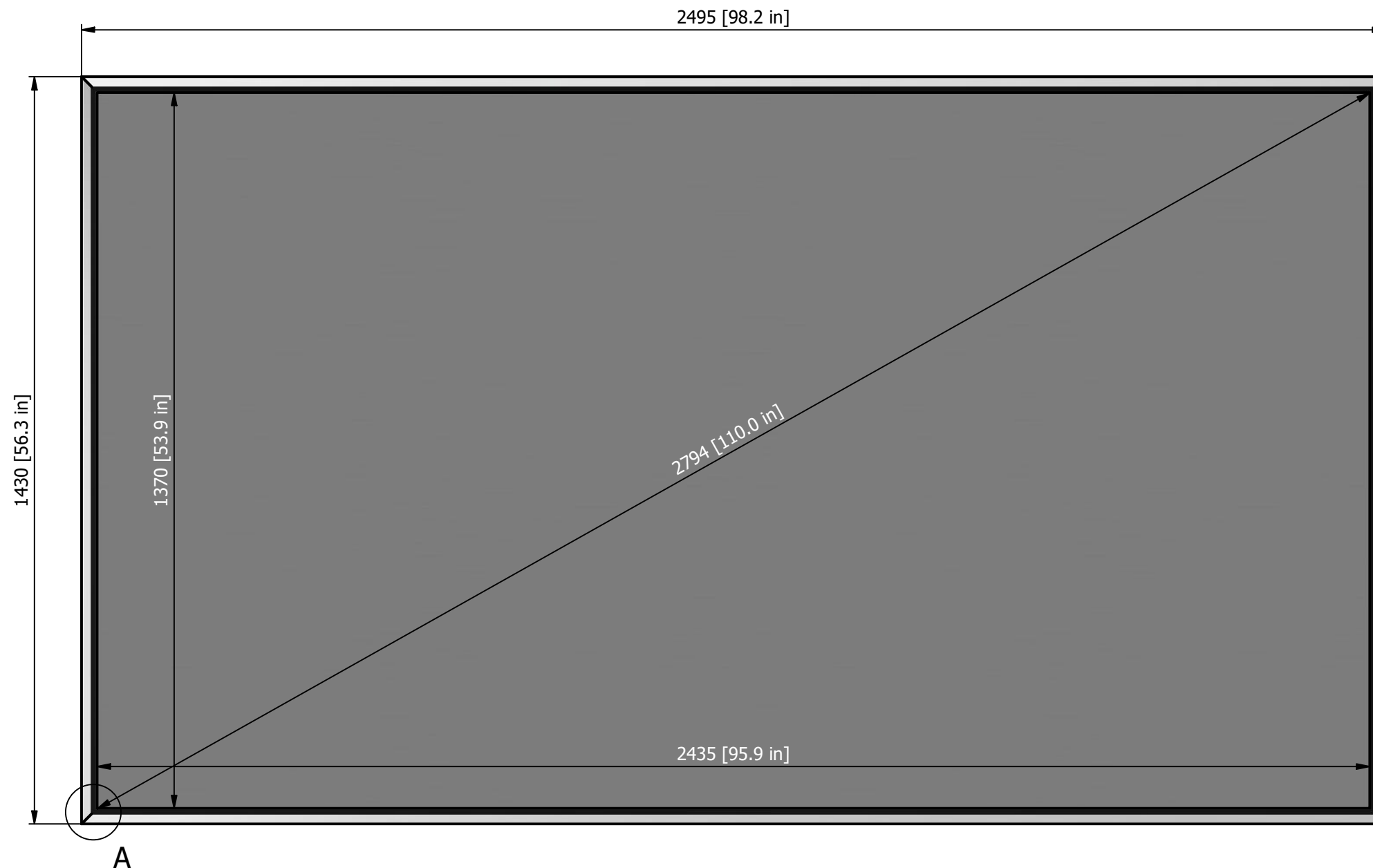
Weight: 22 kg - 48 lbs

End user/project:				
Order No.:		Customer:		
dnp no.	Rev/Date/int: 00 / 24.03.2020 / GA	Supplier:		
 dnp denmark as Skruegangen 2 DK-2690 Karlslunde Denmark Tel.: +45 46 16 51 00 Website: www.dnp-screens.com	Scale:	Date:	Sign.:	
		24/03/2020	GA	
Description: SNO 100in 16:9 - Silver Alu Layout		Sheet: 1 of 2	Format: A3	
		Drawing No: 511 MM 100 121_SNO		

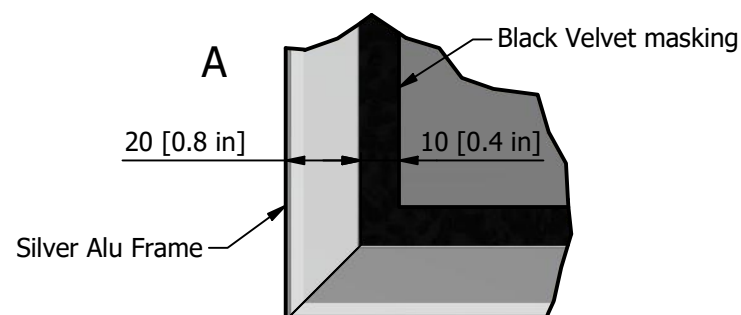
Available with SN 08-85 or SN 23-23 screen material




End user/project:				
Order No.:		Customer:		
dnp no.	Rev/Date/int: 00 / 24.03.2020 / GA	Supplier:		
 dnp denmark as Skruegangen 2 DK-2690 Karlslunde Denmark Tel.: +45 46 16 51 00 Website: www.dnp-screens.com	Scale:	Date:	Sign.:	
		24/03/2020	GA	
Description: SNO 100in 16:9 - Silver Alu Backside view		Sheet: 2 of 2	Format: A3	
		Drawing No: 511 MM 100 121_SNO		
<small>D:\P (GA) Tegninger (Sync)_221118\Div Produkter\SNO ONE_Med STS-SNO Frame\SNO 100in 1.78 sai\511 MM 100 121_SNO.idw</small>				



Weight: 26 kg - 57 lbs



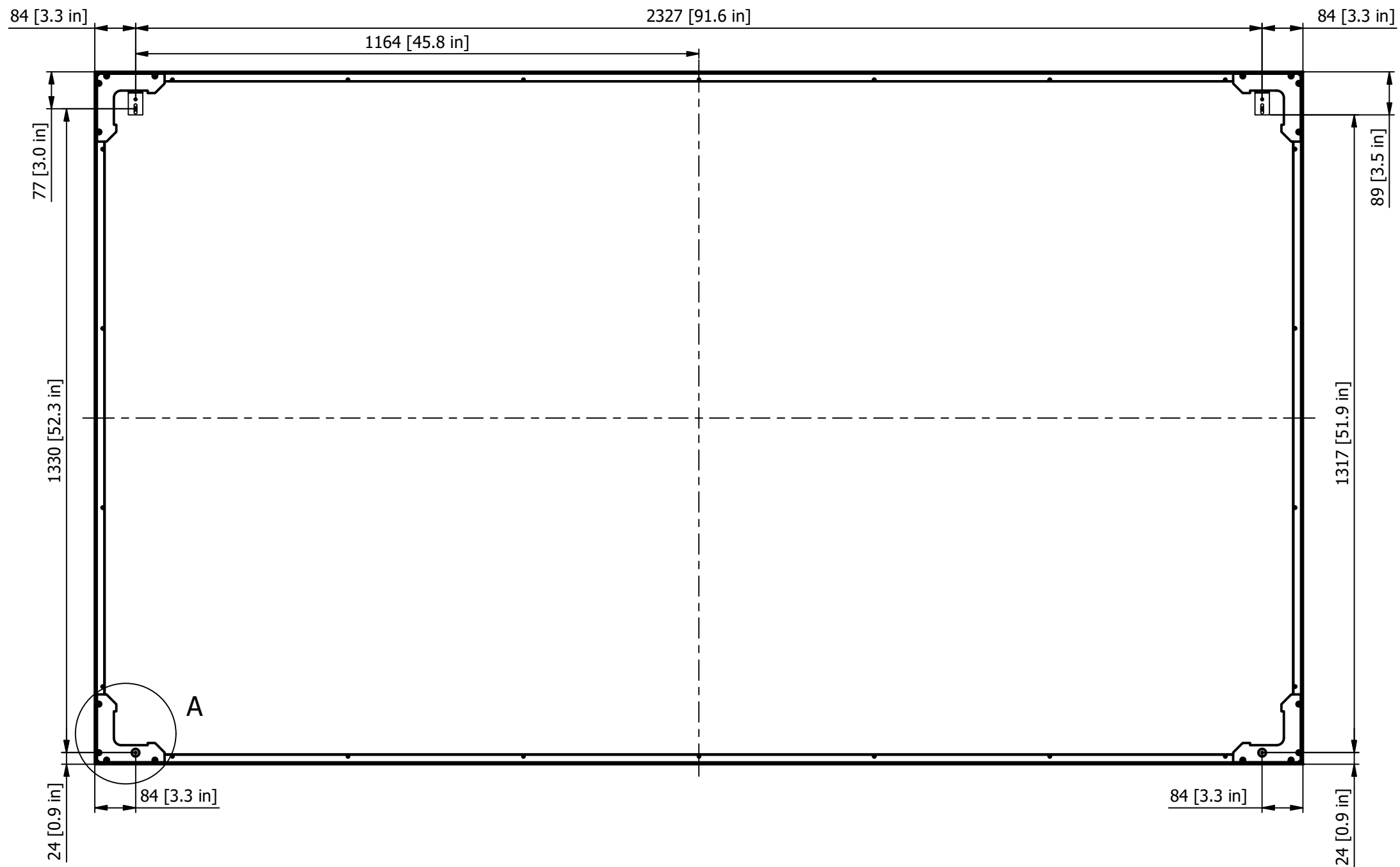
Available with SN 08-85 or SN 23-23 screen material

End user/project:				
Order No.:		Customer:		
dnp no.	Rev/Date/int: 00 / 24.03.2020 / GA	Supplier:		
 dnp denmark as Skruegangen 2 DK-2690 Karlslunde Denmark Tel.: +45 46 16 51 00 Website: www.dnp-screens.com	Scale:	Date:	Sign.:	
		24/03/2020	GA	
Description: SNO 110in 16:9 - Silver Alu Layout		Sheet: 1 of 2	Format: A3	
		Drawing No: 511 MM 110 121_SNO		

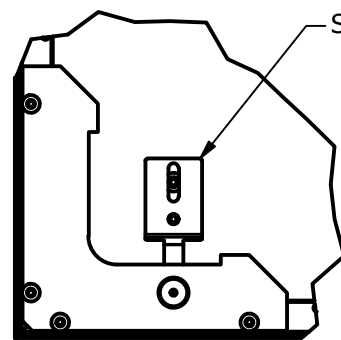
D:\P (GA) Tegninger (Sync)_221118\Div Produkter\SN ONE_Med STS-SNO Frame\SNO 110in 1.78 sai\511 MM 110 121_SNO.dwg

Measure without tolerance according DS/ISO 2768-m

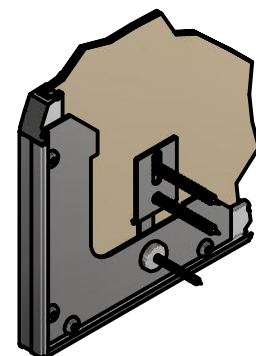
Copyright dnp denmark as




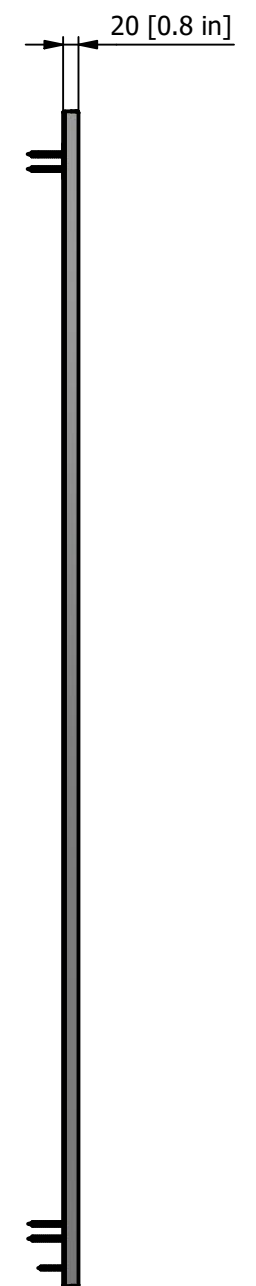
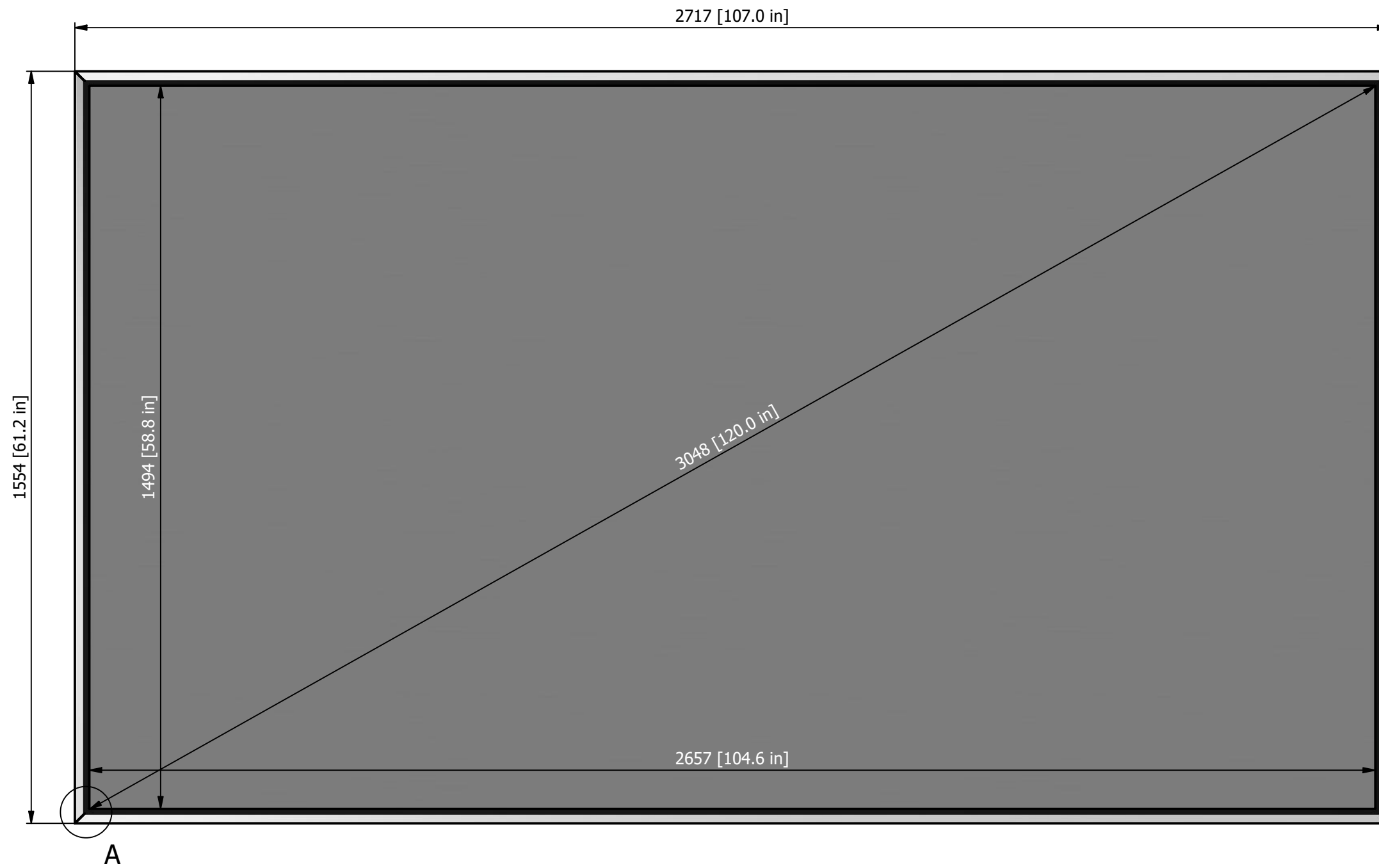
A



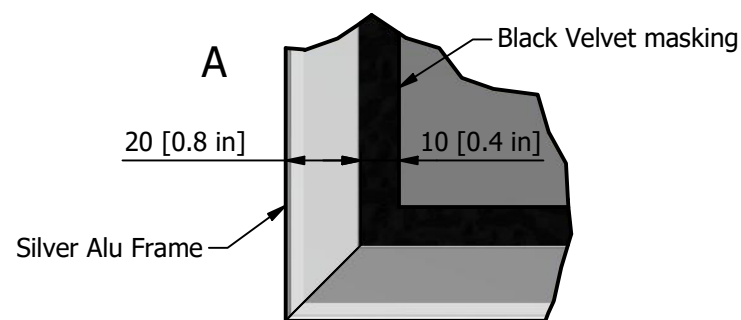
Safety Kit available




End user/project:				
Order No.:		Customer:		
dnp no.	Rev/Date/int: 00 / 24.03.2020 / GA	Supplier:		
 dnp denmark as Skruegangen 2 DK-2690 Karlslunde Denmark Tel.: +45 46 16 51 00 Website: www.dnp-screens.com	Scale:	Date:	Sign.:	
		24/03/2020	GA	
Description: SNO 110in 16:9 - Silver Alu Backside view		Sheet: 2 of 2	Format: A3	
		Drawing No: 511 MM 110 121_SNO		
<small>D:\# (GA) Tegninger [Sync]_221118\Div Produkter\SNO ONE_Med STS-SNO Frame\SNO 110in 1.78 sai\511 MM 110 121_SNO.idw</small>				



Weight: 30 kg - 67 lbs



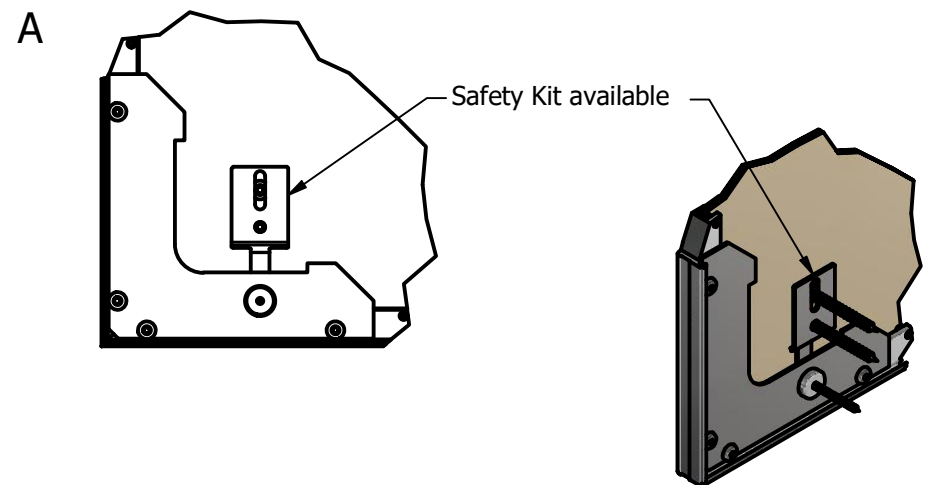
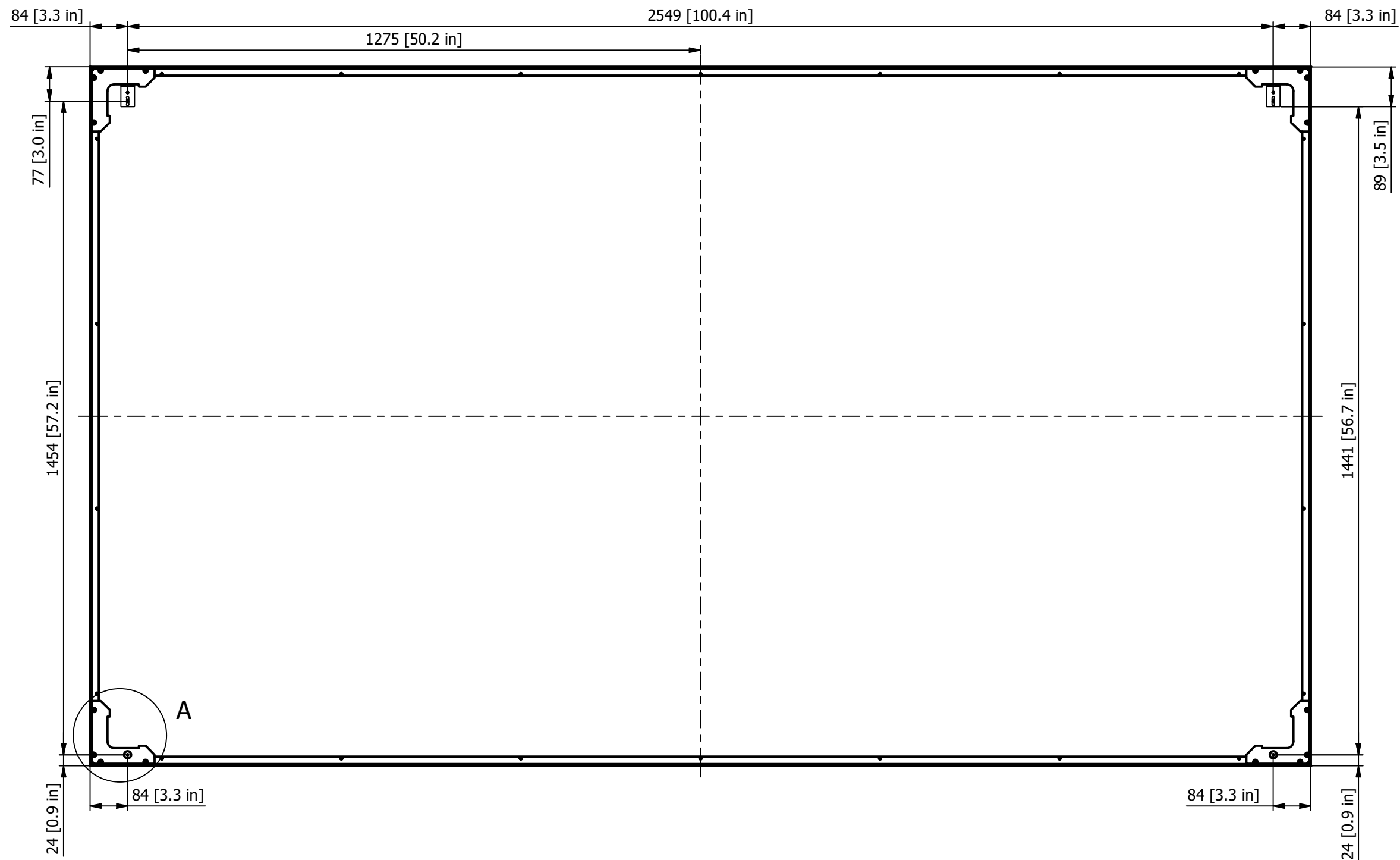
Available with SN 08-85 or SN 23-23 screen material


End user/project:				
Order No.:		Customer:		
dnp no.	Rev/Date/int: 00 / 24.03.2020 / GA	Supplier:		
 dnp denmark as Skruegangen 2 DK-2690 Karlslunde Denmark Tel.: +45 46 16 51 00 Website: www.dnp-screens.com	Scale:	Date:	Sign.:	
		24/03/2020	GA	
Description: SNO 120in 16:9 - Silver Alu Layout		Sheet: 1 of 2	Format: A3	
		Drawing No: 511 MM 120 121_SNO		

D:\P (GA) Tegninger (Sync)_221118\Div Produkter\SN ONE_Med STS-SNO Frame\SNO 120in 1.78 sa\511 MM 120 121_SNO.idw

Measure without tolerance according DS/ISO 2768-m

Copyright dnp denmark as



End user/project:				
Order No.:		Customer:		
dnp no.	Rev/Date/int: 00 / 24.03.2020 / GA	Supplier:		
 dnp denmark as Skrugangen 2 DK-2690 Karlslunde Denmark Tel.: +45 46 16 51 00 Website: www.dnp-screens.com	Scale:	Date:	Sign.:	
		24/03/2020	GA	
Description: SNO 120in 16:9 - Silver Alu Backside view		Sheet: 2 of 2	Format: A3	
		Drawing No: 511 MM 120 121_SNO		
<small>D:\1# (GA) Tegninger (Sync)_221118\Div Produkter\SNO ONE_Med STS-SNO Frame\SNO 120in 1.78 51\511 MM 120 121_SNO.idw</small>				