

Please read these instructions carefully before assembly



dnp Supernova™ One

Installation guide



dnp optical front
projection screens

Supernova™
Supernova™ is a registered trademark of dnp denmark as

> dnp denmark as
Skuegangen 2
DK-2690 Karlslunde
Denmark

> Phone +45 4616 5100
www.dnp-screens.com

dnp
visual experience

Attention!

- ⚠ Follow all assembly instructions. Incorrect assembly can lead to screen damage and invalidate the dnp warranty
- ⚠ Be two persons to install screen and use enclosed gloves during installation for protection against sharp edges
- ⚠ Keep sharp objects away from the screen as they can scratch the surface and thereby damage the optical properties
- ⚠ Be careful of sharp corner edges when screen is installed. Keep away from children
- ⚠ See general cleaning instructions on how to clean the product

Need help?



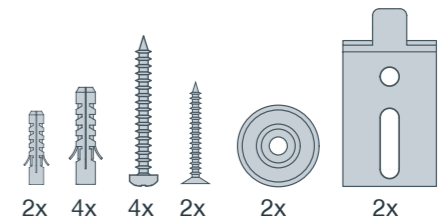
US citizens: Contact dnp US Hotline:
Call (714) 991-6405 for instant service- and
installation support.

Open Monday-Friday from 6:00 AM to 6:00 PM. US requests only.

All others:
Please contact place of purchase

March 2020 - rev. 1 - dnp

What is in the box?

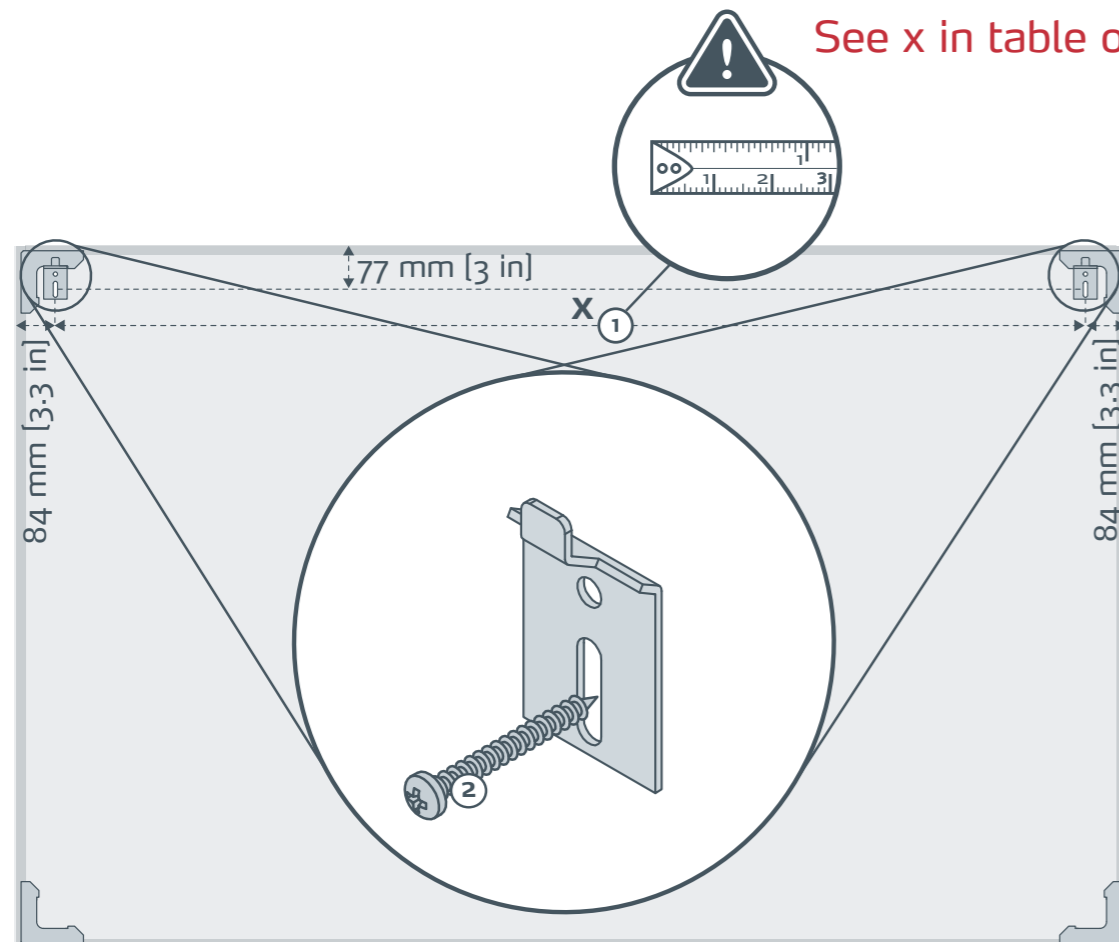


2x

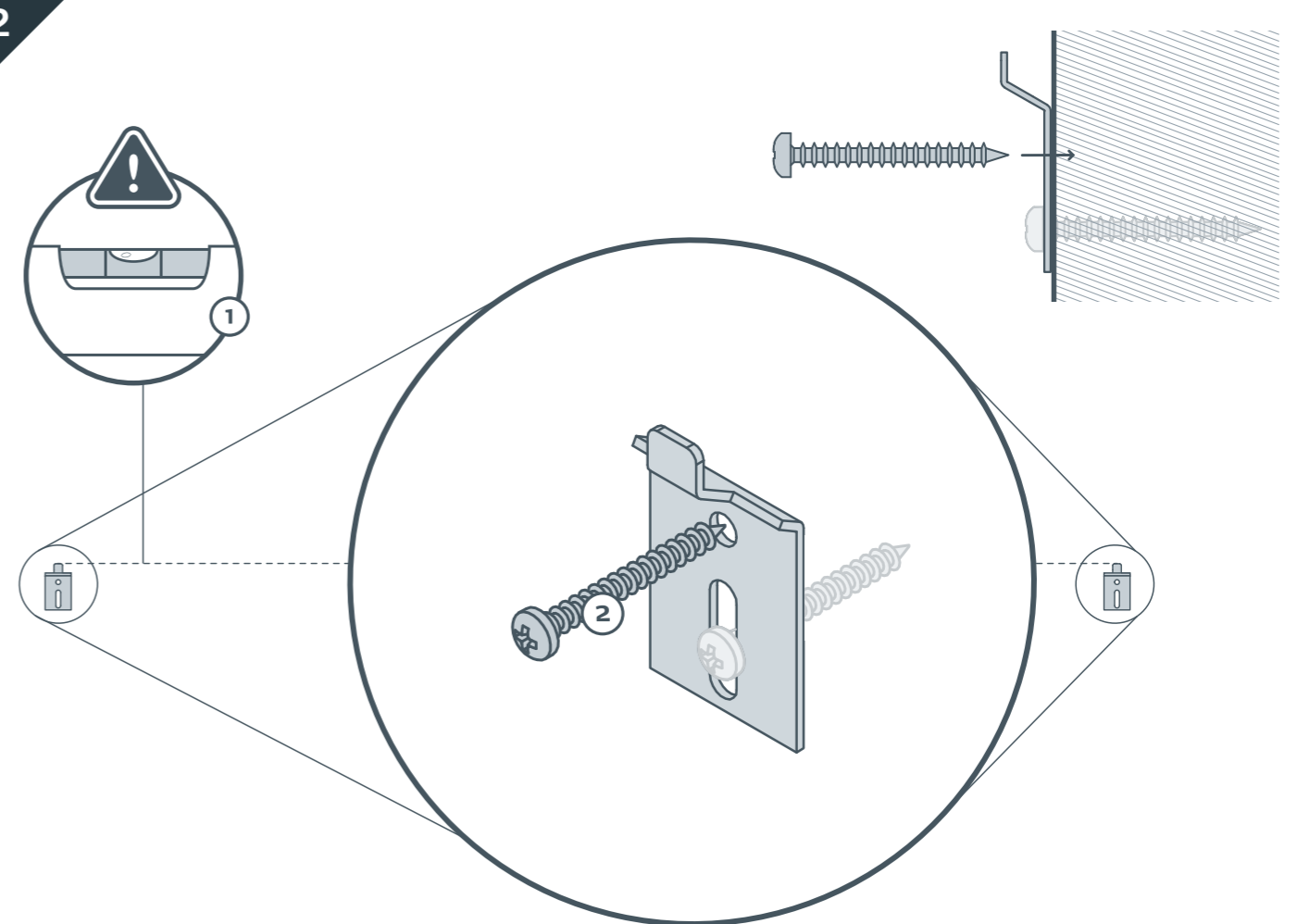


01

See x in table on page 2

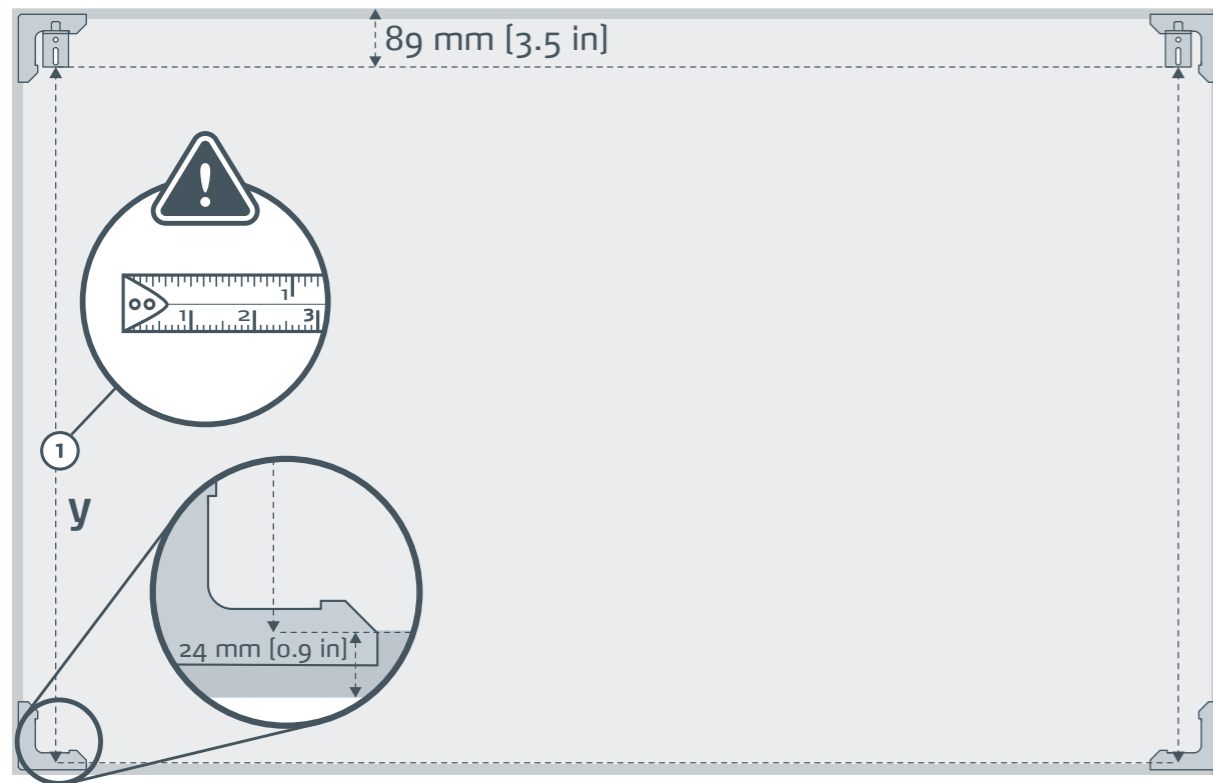


02

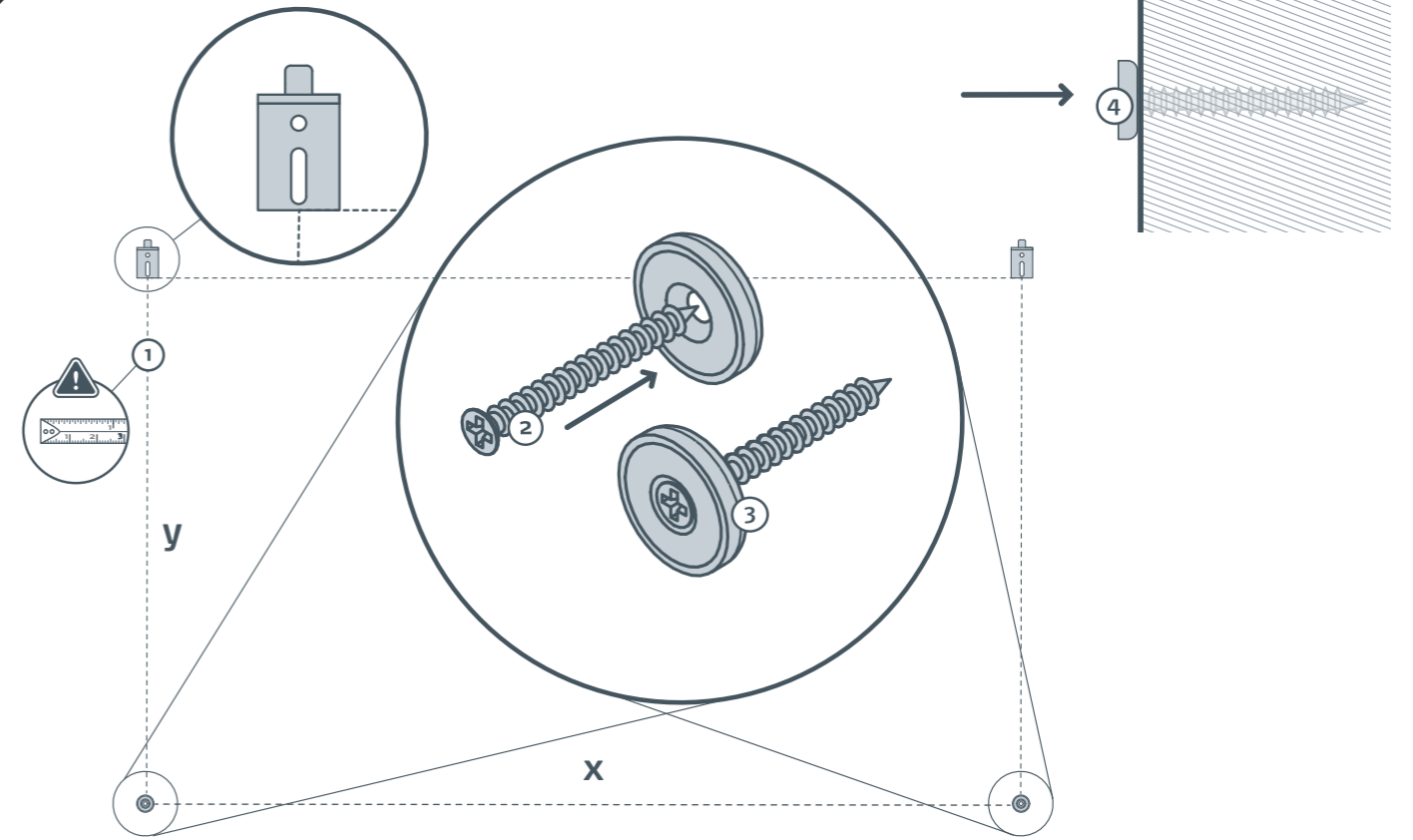


03

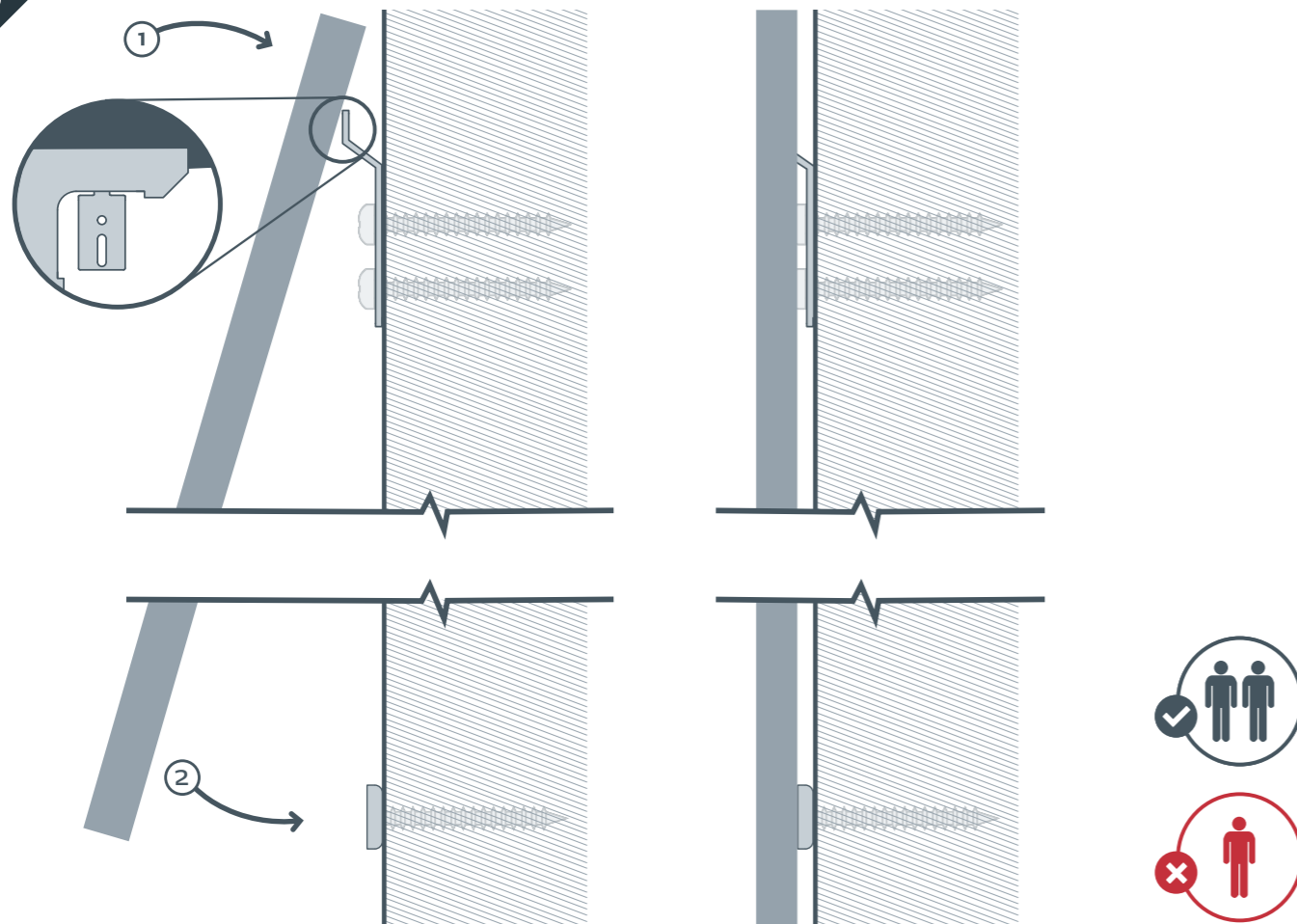
See y in table



04



05



		x		y	
		mm	in	mm	in
100" 16:10	Black Sand	2026	79,8	1273	50,1
	Silver Alu	2046	80,5	1293	50,9
110" 16:10	Black Sand	2241	88,2	1408	55,4
	Silver Alu	2261	89,0	1428	56,2
100" 16:9	Black Sand	2086	82,1	1172	46,2
	Silver Alu	2106	82,9	1192	46,9
110" 16:9	Black Sand	2307	90,8	1297	51,1
	Silver Alu	2327	91,6	1317	51,8
120" 16:9	Black Sand	2529	99,5	1421	56,0
	Silver Alu	2549	100,3	1441	56,7